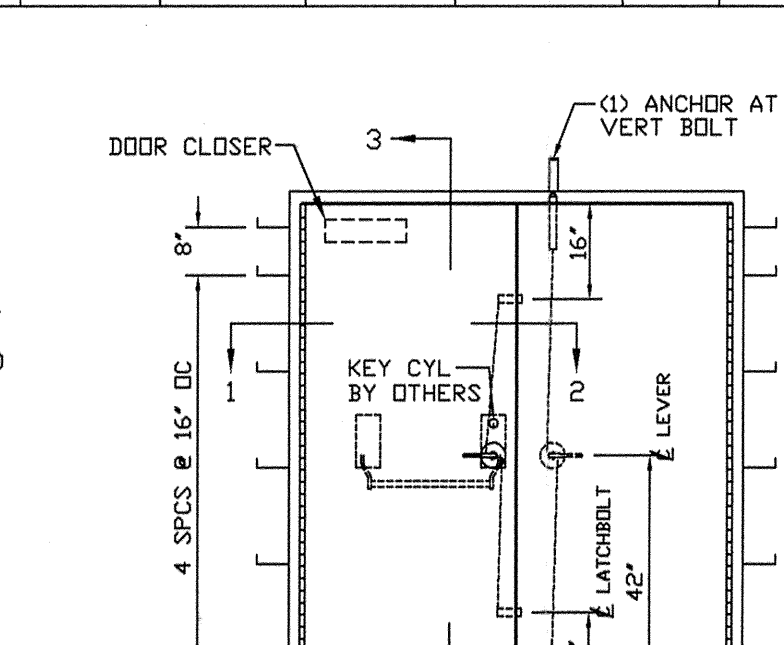
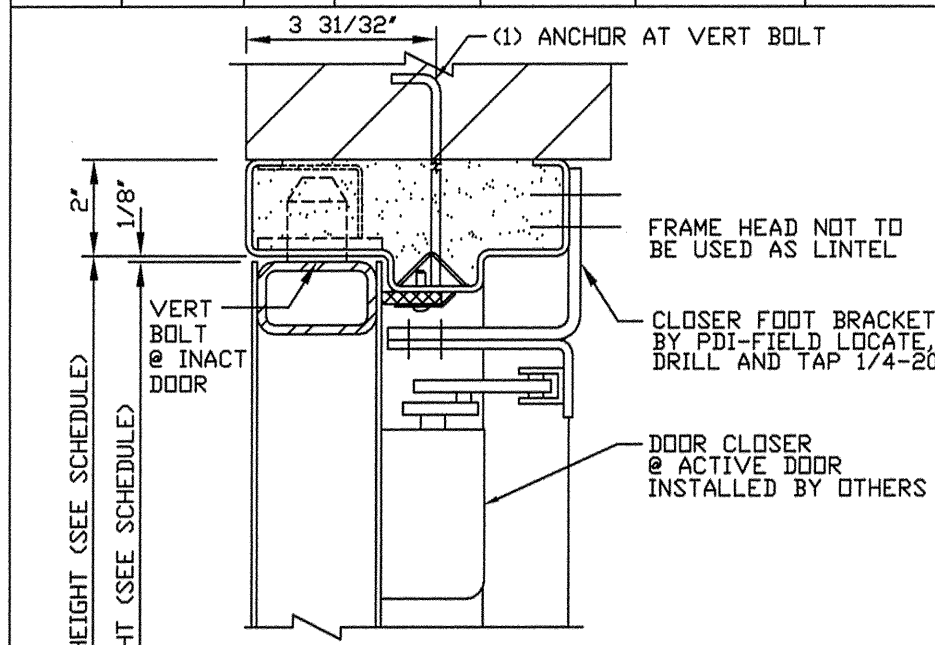
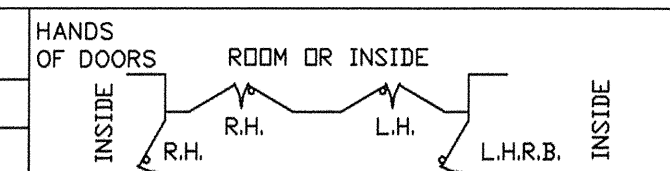
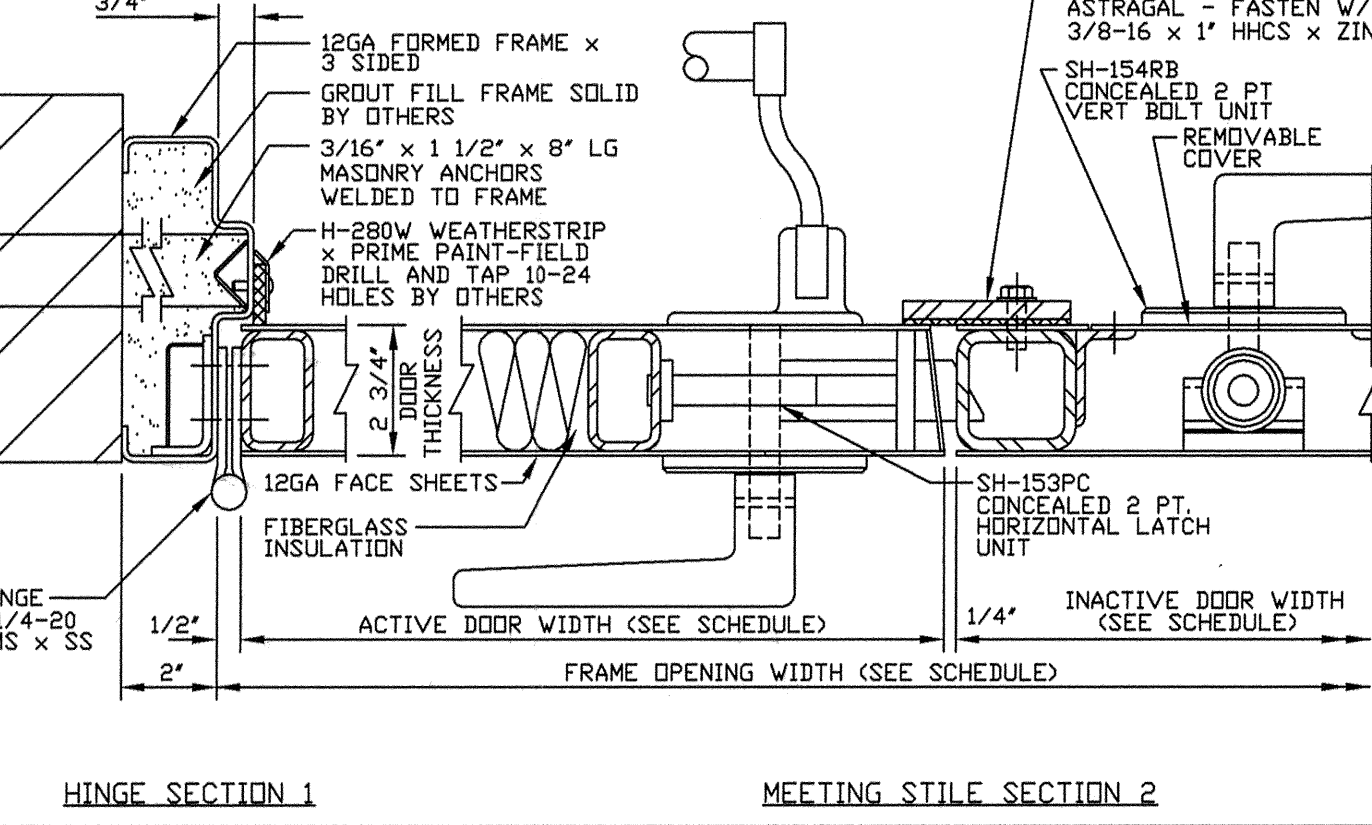
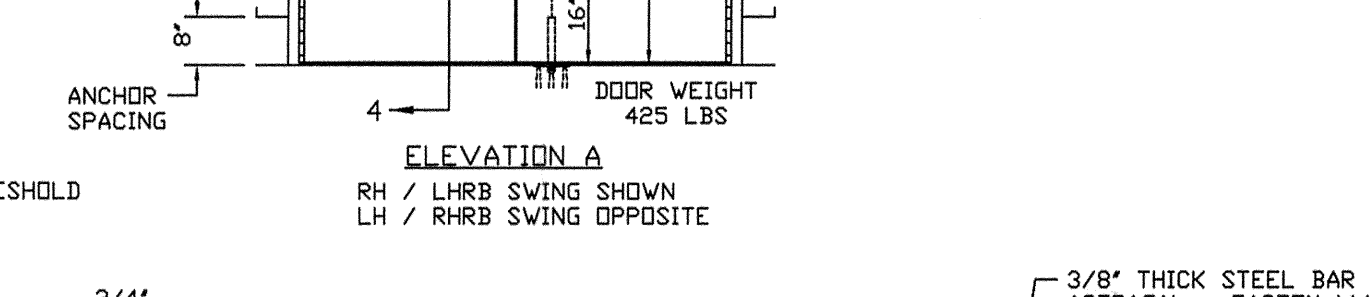
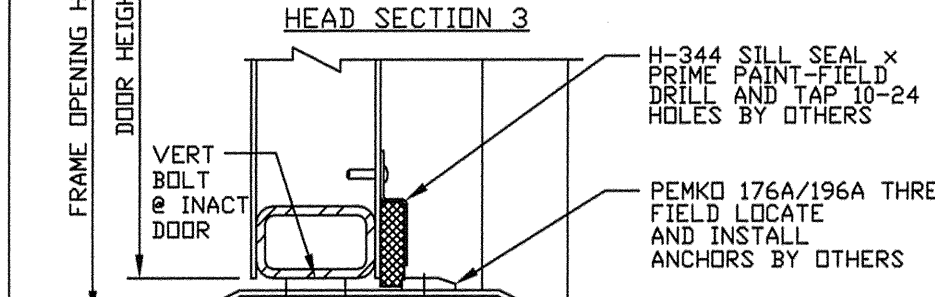


QUAN.	MARK NO	HAND	LOCATION		EXISTING WALL OPNG		FRAME OPNG		DOOR SIZE		DOOR ELEV	SECTIONS				REMARKS
			HINGE SIDE	STOP SIDE	WIDTH	HEIGHT	WIDTH	HEIGHT	WIDTH	HEIGHT		HINGE	STRIKE	HEAD	SILL	
1 PR	1	LHRB ACT	EXTERIOR	INTERIOR	NA	NA	72"	84"	35 3/8"	83 1/8"	A	1	2	3	4	



IMPORTANT NOTE:
WALL MUST BE CAPABLE OF SUPPORTING 45 LB/IN PER JAMB IN THE SEATING AND UNSEATING DIRECTIONS.
WALL MUST BE CAPABLE OF SUPPORTING 5610 LBS IN THE BOTH DIRECTIONS AT THE VERTICAL BOLTS.

- FRAME INSTALLATION**
1. PROPERLY BRACE AND SUPPORT FRAME DURING INSTALLATION.
 2. JAMBS MUST BE PLUMB.
 3. HEAD MUST BE LEVEL.
 4. ALL DIMENSIONS TO BE WITHIN 1/16\".
 5. DIAGONAL DIMENSIONS TO BE TO BE WITHIN 1/8\".



- NOTES:**
1. 3 PSI STATIC EQUIVALENT PRESSURE W/ 100% REBOUND
 2. FIRE RATING: UL 3 HR "A" FIRE LABEL
 3. FINISH: STD GREY PRIMER
 4. HARDWARE BY PDI:
 - (2) CONTINUOUS HINGES x DOOR HEIGHT 8GA LEAVES x 3/8" DIA SS PIN x 6" OPEN WIDTH x MILL FINISH
 - (1) SH-153PC 2 PT HORIZONTAL HARDWARE LEVER x EXIT BAR TRIM x US32D FINISH x (LESS CYL) @ ACTIVE DOOR FUNCTION: SIM TO 08
 - (1) SH-154RB 2 PT VERTICAL HARDWARE LEVER x NO EXT. TRIM x US32D FINISH @ INACTIVE DOOR
 - (1) YALE #406 DOOR CLOSER x PA x ALUM FIN @ ACTIVE DOOR ONLY
 5. HARDWARE BY OTHERS:
 - (1) RIM KEY CYLINDER
 ALL HARDWARE NOT LISTED ABOVE

NOTICE
THIS IS A CONFIDENTIAL DISCLOSURE LOANED BY PROTECTIVE DOOR IND. SUBJECT TO THE CONDITIONS THAT IT AND THE INFORMATION EMBODIED THEREIN SHALL BE USED ONLY FOR RECORD AND REFERENCE PURPOSES, SHALL NOT BE USED OR CAUSED TO BE USED IN ANYWAY PREJUDICIAL TO THE INTEREST OF THIS COMPANY, SHALL NOT BE REPRODUCED OR COPIED IN WHOLE OR IN PART, AND SHALL BE RETURNED UPON REQUEST.

GENERAL CONDITIONS
P.D.I. WILL NOT BE LIABLE FOR ANY ERRORS OCCURRING TO OTHER TRADES THROUGH THE USE OF THIS DRAWING.
CONTRACTOR TO CHECK ALL DIMENSIONS AT JOB AS P.D.I. ASSUMES NO RESPONSIBILITY FOR GENERAL BUILDING DIMENSIONS.

DATE	MK	DESCRIPTION	BY
REVISIONS			
CUSTOMER:			
PROJECT:			
PROTECTIVE DOOR INDUSTRIES HARVEY, ILLINOIS 60426			
TITLE DB-200 PAIR BLAST RESISTANT DOOR AND FRAME			
DWG BY	MF	CHKD BY	
DATE	10/12/04	DATE	
SCALE		QA	
DWG NO.	1579-04	SHT NO.	1

PLOT SCALE 1=4
1579-1