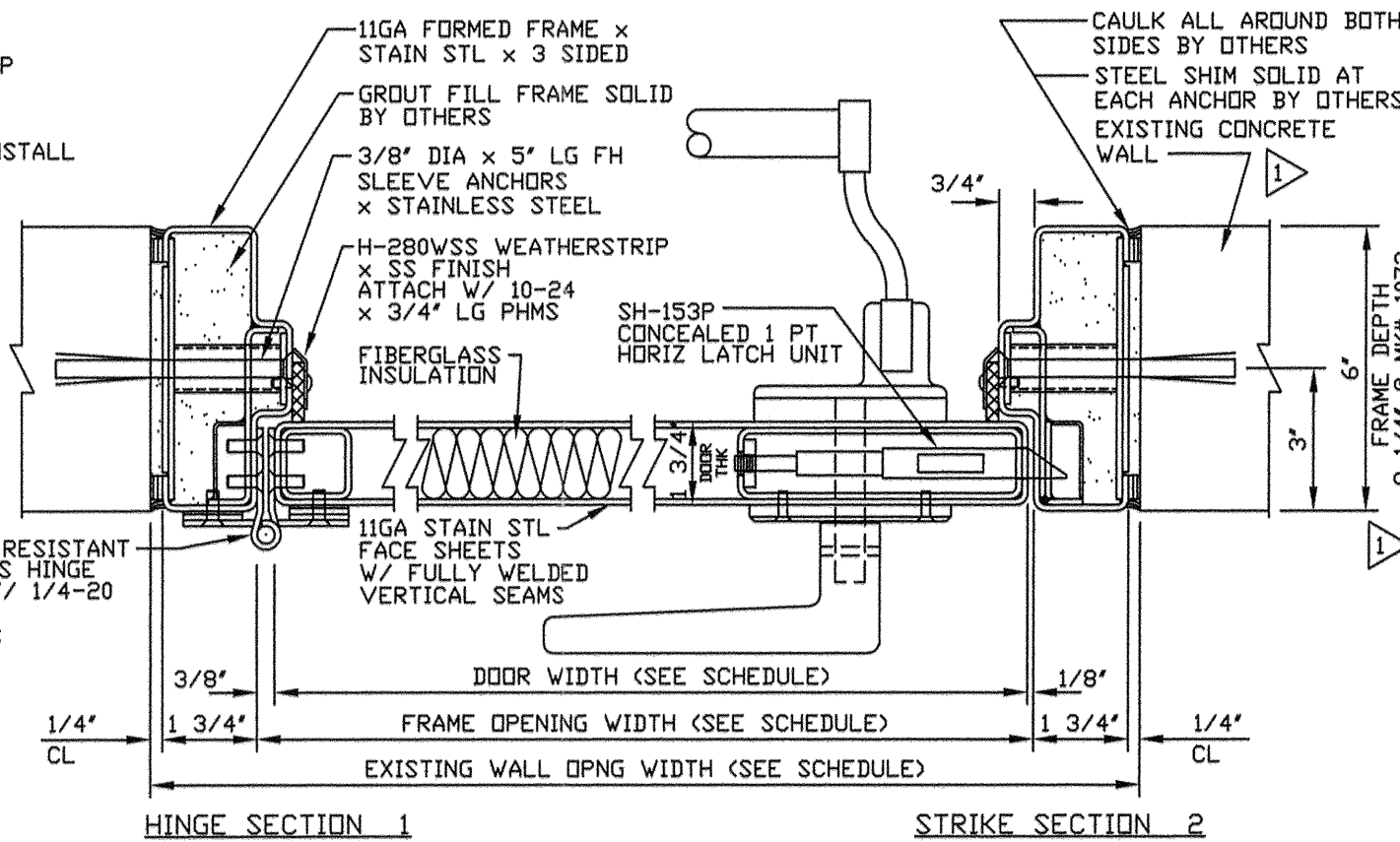
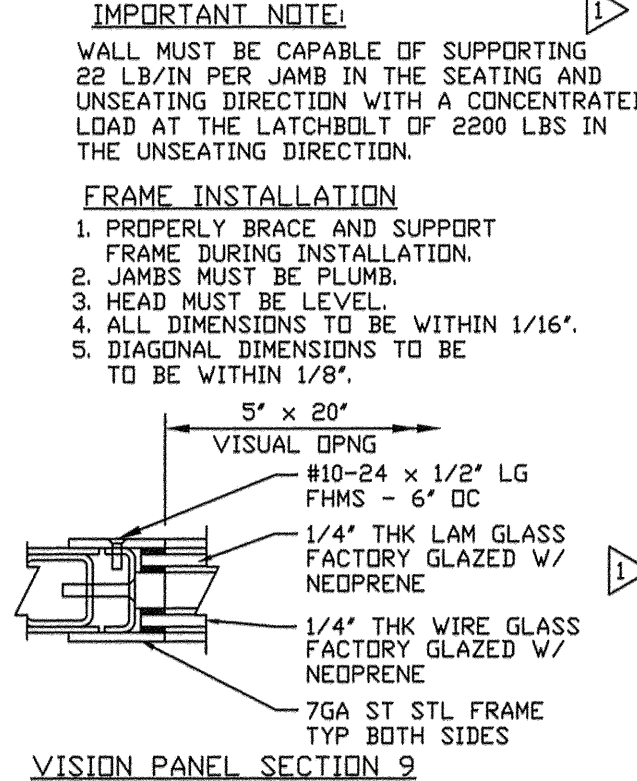
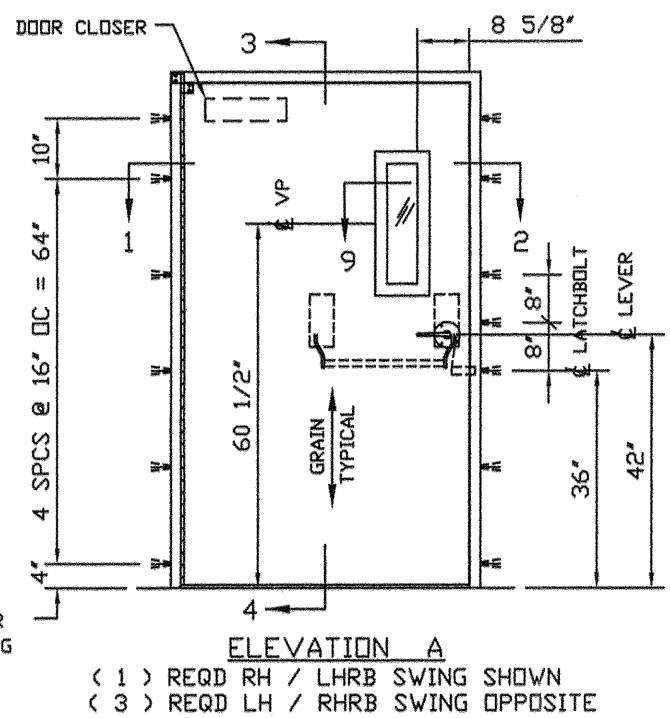
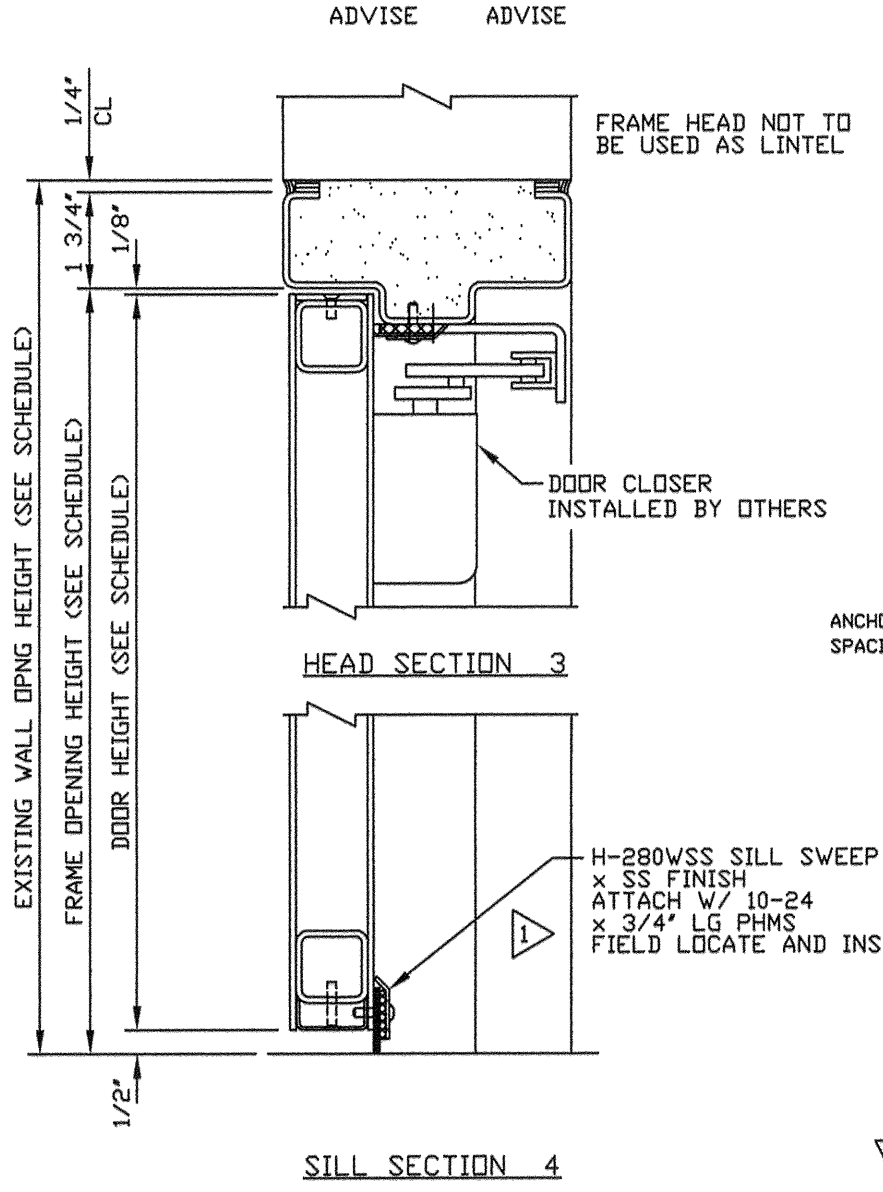
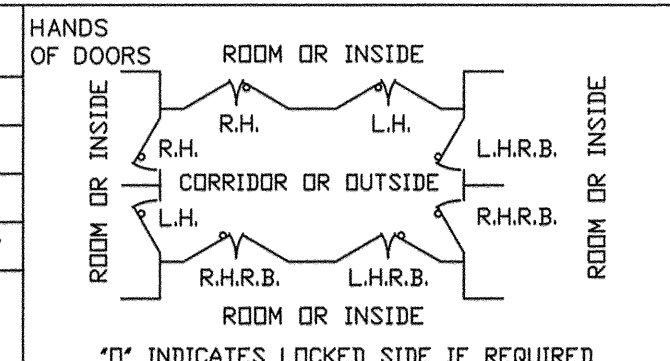


QUAN.	MARK NO	HAND	LOCATION		EXISTING WALL OPNG		FRAME OPNG		DOOR SIZE		DOOR ELEV	SECTIONS				REMARKS
			HINGE SIDE	STOP SIDE	WIDTH	HEIGHT	WIDTH	HEIGHT	WIDTH	HEIGHT		HINGE	STRIKE	HEAD	SILL	
1	406A	LHRB			52"	86"	48"	84"	47 1/2"	83 3/8"	A	1	2	3	4	FRAME DEPTH 6"
1	400A	RHRB			52"	86"	48"	84"	47 1/2"	83 3/8"	A	1	2	3	4	FRAME DEPTH 6"
1	402	RHRB			52"	86"	48"	84"	47 1/2"	83 3/8"	A	1	2	3	4	FRAME DEPTH 6"
1	1073	RHRB			52"	86"	48"	84"	47 1/2"	83 3/8"	A	1	2	3	4	FRAME DEPTH 9 1/4"



**IMPORTANT NOTE:**  
WALL MUST BE CAPABLE OF SUPPORTING 22 LB/IN PER JAMB IN THE SEATING AND UNSEATING DIRECTION WITH A CONCENTRATED LOAD AT THE LATCHBOLT OF 2200 LBS IN THE UNSEATING DIRECTION.

- FRAME INSTALLATION**
1. PROPERLY BRACE AND SUPPORT FRAME DURING INSTALLATION.
  2. JAMBS MUST BE PLUMB.
  3. HEAD MUST BE LEVEL.
  4. ALL DIMENSIONS TO BE WITHIN 1/16".
  5. DIAGONAL DIMENSIONS TO BE WITHIN 1/8".

- NOTES:**
1. DESIGN PRESSURE: 120 PSF STATIC EQUIVALENT PRESSURE W/ 100% REBOUND
  2. FIRE RATING: NONE
  3. CERTIFICATE OF NON-COMBUSTIBLE CONSTRUCTION
  4. DOOR / FRAME FINISH: APPROX #4 BRUSHED STAINLESS STEEL
  5. HARDWARE BY PDI:
    - (1) CONTINUOUS HINGE-11GA SS LEAVES x 1/4" DIA STAIN STL PIN x BRUSHED FINISH x ANTI-SAG FEATURE
    - (1) SH-153P 1 PT HORIZONTAL HARDWARE LEVER x PANIC BAR x SS TRIM x US32D FINISH FUNCTION: PASSAGE
    - (1) YALE #4400 DOOR CLOSER x PA x ALUM FINISH
    - (1) PDI H-280WSS WEATHERSTRIP x SS FINISH
    - (1) PDI H-280WSS SILL SWEEP x SS FINISH
  6. HARDWARE BY OTHERS: ANY HARDWARE NOT LISTED ABOVE

**NOTICE**  
THIS IS A CONFIDENTIAL DISCLOSURE LOANED BY PROTECTIVE DOOR IND. SUBJECT TO THE CONDITIONS THAT IT AND THE INFORMATION EMBODIED THEREIN SHALL BE USED ONLY FOR RECORD AND REFERENCE PURPOSES, SHALL NOT BE USED OR CAUSED TO BE USED IN ANYWAY PREJUDICIAL TO THE INTEREST OF THIS COMPANY, SHALL NOT BE REPRODUCED OR COPIED IN WHOLE OR IN PART, AND SHALL BE RETURNED UPON REQUEST.

**GENERAL CONDITIONS**  
P.D.I. WILL NOT BE LIABLE FOR ANY ERRORS OCCURRING TO OTHER TRADES THROUGH THE USE OF THIS DRAWING. CONTRACTOR TO CHECK ALL DIMENSIONS AT JOB AS P.D.I. ASSUMES NO RESPONSIBILITY FOR GENERAL BUILDING DIMENSIONS.

8/14/09	1	PER APPROVED DWGS AND EMAIL	MF
DATE	MK	DESCRIPTION	BY
REVISIONS			
CUSTOMER:			
PROJECT:			
PROTECTIVE DOOR INDUSTRIES HARVEY, ILLINOIS 60426			
TITLE: DB-100-SS BLAST RESISTANT DOOR AND FRAME			
DWG BY	MF	CHKD BY	
DATE	7/14/09	DATE	
SCALE		QA	
DWG NO.	1816-09	SHT NO.	1

PLOT SCALE 1=4  
1816-1

**MASTER**