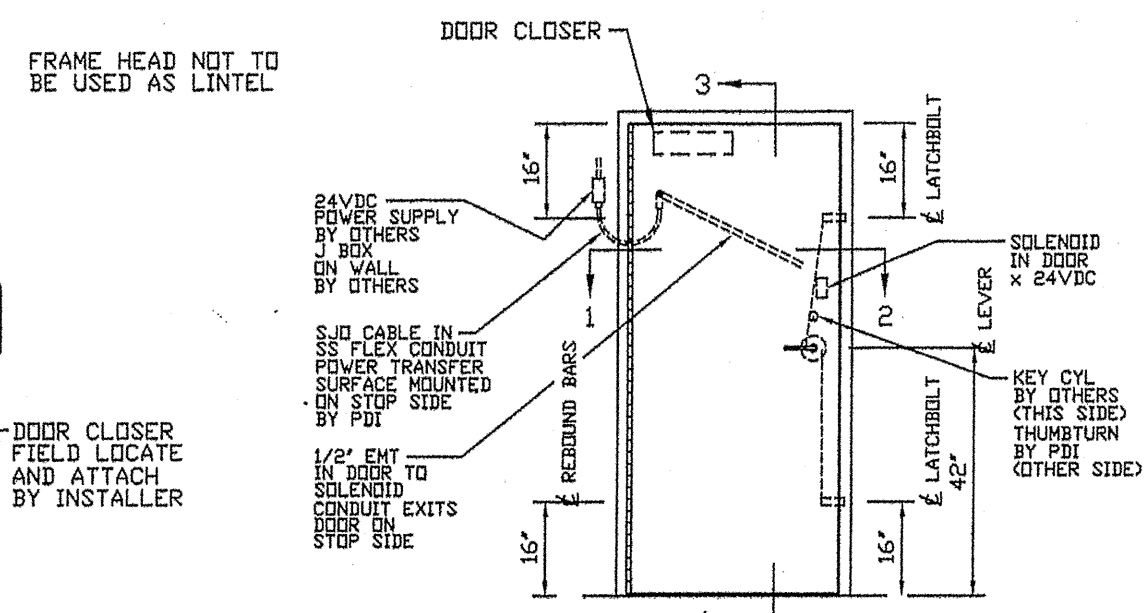
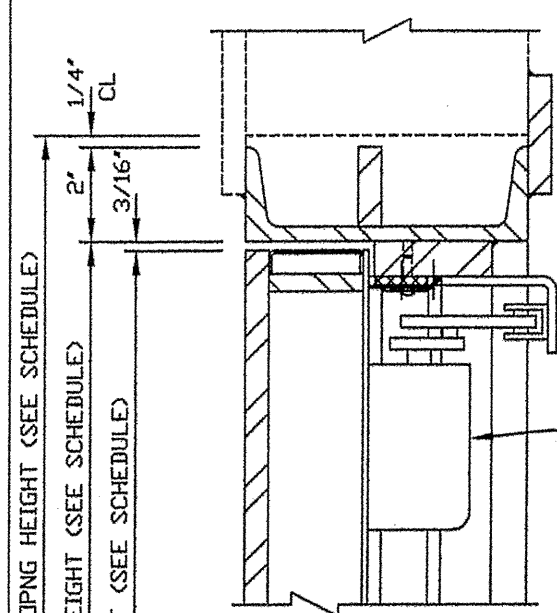
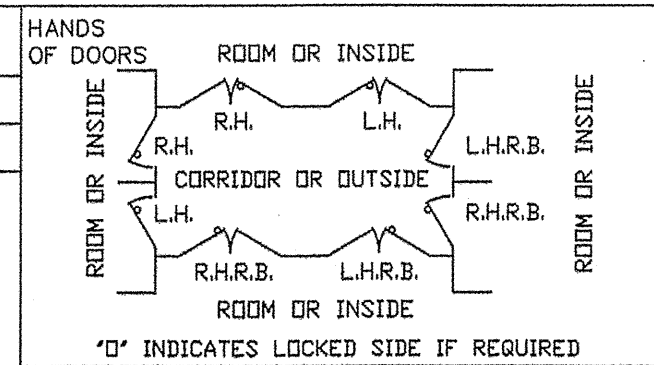


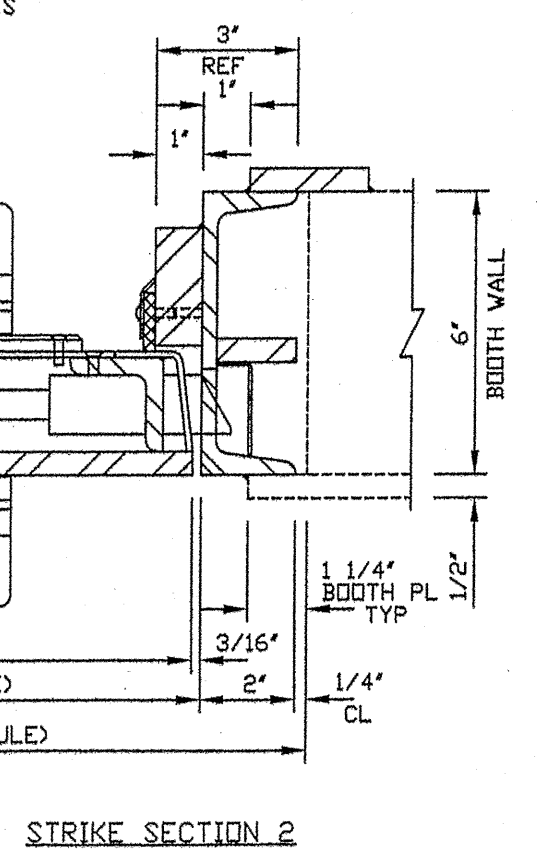
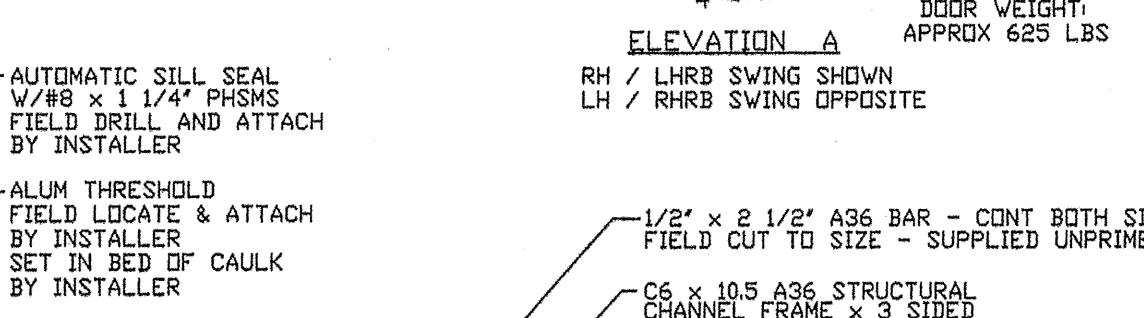
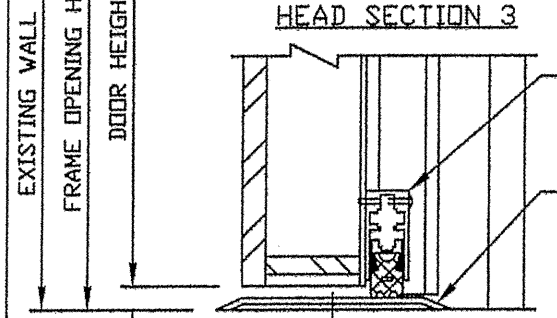
QUAN.	MARK NO	HAND	LOCATION		EXISTING WALL OPNG		FRAME OPNG		DOOR SIZE		DOOR ELEV	SECTIONS				REMARKS	
			HINGE SIDE	STOP SIDE	WIDTH	HEIGHT	WIDTH	HEIGHT	WIDTH	HEIGHT		HINGE	STRIKE	HEAD	SILL		
1	SGL	SAS-1	RHRB	EXTERIOR	INTERIOR	40 1/2"	82 1/4"	36"	80"	35 5/16"	79 5/16"	A	1	2	3	4	



IMPORTANT NOTE:
WALL MUST BE CAPABLE OF SUPPORTING 84 LB/IN MAX PER JAMB IN THE SEATING DIRECTION AND UNSEATING CONCENTRATED LOADS AS FOLLOWS:
AT LATCHBOLTS 1615 LBS MAX
AT REBOUND BARS 1615 LBS MAX

- FRAME INSTALLATION**
1. PROPERLY BRACE AND SUPPORT FRAME DURING INSTALLATION
 2. JAMBS MUST BE PLUMB
 3. HEAD MUST BE LEVEL
 4. ALL DIMENSIONS TO BE WITHIN 1/16"
 5. DIAGONAL DIMENSIONS TO BE TO BE WITHIN 1/8"

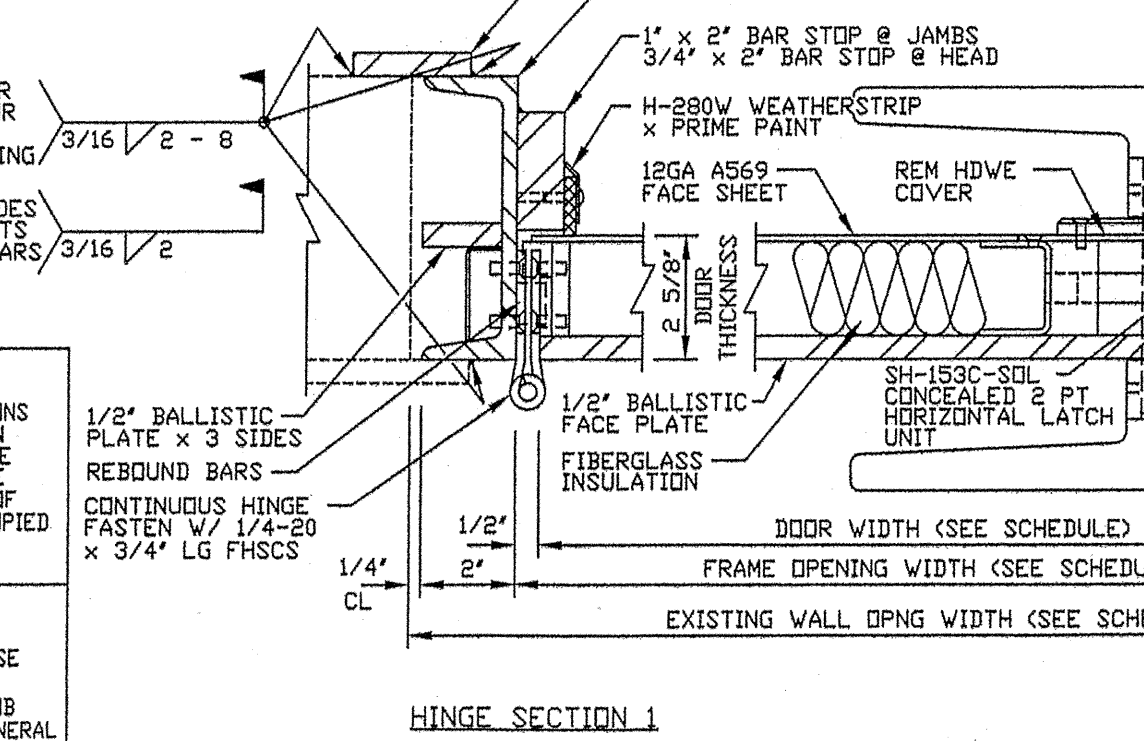
BALLISTIC LEVEL:
AMMUNITION: CAL. .30AP, M2, 166gr
SHOT SPACING: 1 SHOT ON 12" SQUARE
AVG VELOCITY: 2850 FT/SEC
RANGE TO TARGET: 50FT



- NOTES:**
1. DESIGN PRESSURE: 4.62 PSI PEAK REFLECTIVE SEATING PRESSURE FOR 31.75 MILLISECONDS W/ REBOUND AS CALCULATED
 2. BALLISTIC CERTIFICATION: PDI WILL FABRICATE THESE UNITS UTILIZING STEELS TESTED TO THE BALLISTIC LEVEL SHOWN
 3. FIRE RATING: NONE
 4. FINISH: STD GREY PRIMER
 5. HARDWARE BY PDI:
 - (1) CONTINUOUS HINGE x DOOR HEIGHT 8GA LEAVES x 3/8" DIA PIN x 6" OPEN WIDTH x STN STL x BRUSHED FINISH
 - (1) SH-153C-SOL 2 PT HORIZ HARDWARE LEVER x LEVER TRIM x US32D FINISH x 24VDC x (LESS CYL)
 - FUNCTION: SIM F07 STOREROOM POWER SUPPLY TO SOLENOID UNLOCKS EXTERIOR AND INTERIOR LEVERS
 - (1) YALE #4400 DOOR CLOSER x PA x ALUM FIN
 - (1) PDI H-280W WEATHERSTRIP x USP FINISH
 - (1) PEMKO #271A THRESHOLD x ALUM
 - (1) PEMKO #4301CRL AUTO DOOR BTM x ALUM
 - (1) PDI ARMORED DOOR CORD
 - (1) THUMBTURN CYLINDER x 626 FIN (STOP SIDE)
 6. HARDWARE BY OTHERS:
 - (1) MORTISED KEY CYLINDER
 - (1) CARD READER

NOTICE
THIS IS A CONFIDENTIAL DISCLOSURE LOANED BY PROTECTIVE DOOR IND. SUBJECT TO THE CONDITIONS THAT IT AND THE INFORMATION EMBODIED THEREIN SHALL BE USED ONLY FOR RECORD AND REFERENCE PURPOSES, SHALL NOT BE USED OR CAUSED TO BE USED IN ANYWAY PREJUDICIAL TO THE INTEREST OF THIS COMPANY, SHALL NOT BE REPRODUCED OR COPIED IN WHOLE OR IN PART, AND SHALL BE RETURNED UPON REQUEST.

GENERAL CONDITIONS
P.D.I. WILL NOT BE LIABLE FOR ANY ERRORS OCCURRING TO OTHER TRADES THROUGH THE USE OF THIS DRAWING.
CONTRACTOR TO CHECK ALL DIMENSIONS AT JOB AS P.D.I. ASSUMES NO RESPONSIBILITY FOR GENERAL BUILDING DIMENSIONS.



DATE	MK	DESCRIPTION	BY
REVISIONS			
CUSTOMER:			
PROJECT:			
PROTECTIVE DOOR INDUSTRIES HARVEY, ILLINOIS 60426			
TITLE DB-XB SGL FLUSH BLAST RESISTANT DOOR AND FRAME			
DWG BY	MF	CHKD BY	
DATE	11/2/09	DATE	
SCALE		QA	
DWG NO.	1842-09	SHT NO.	1

PLOT SCALE 1=4

MASTER