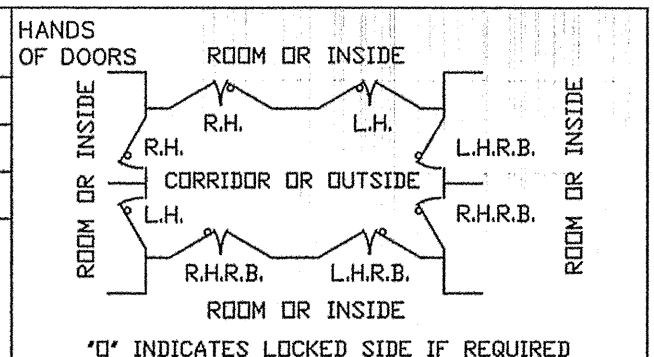


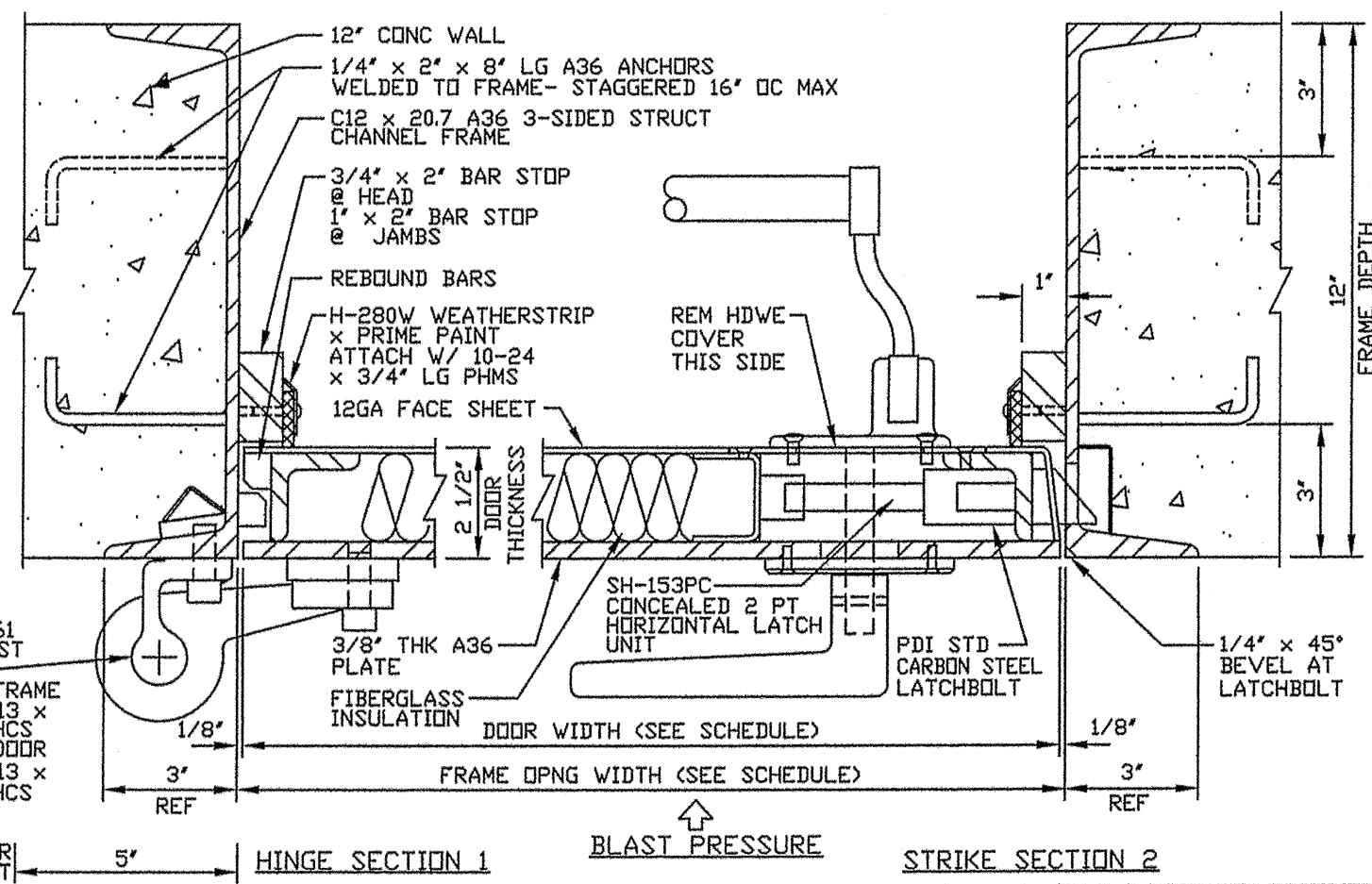
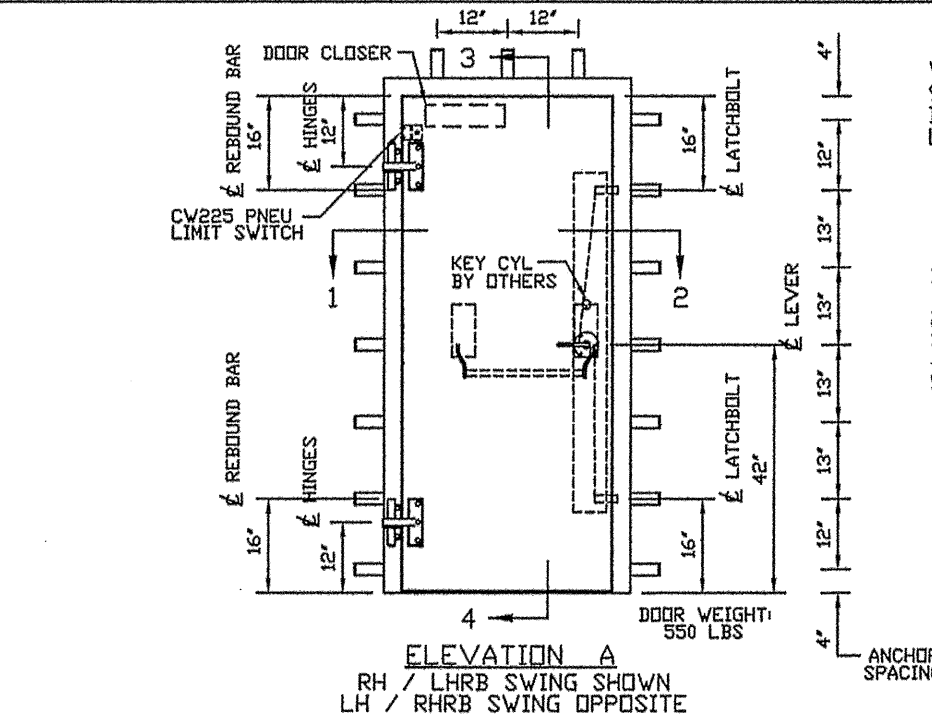
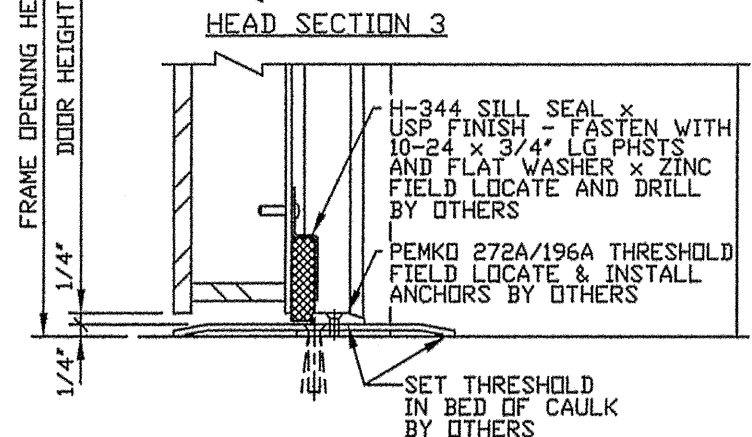
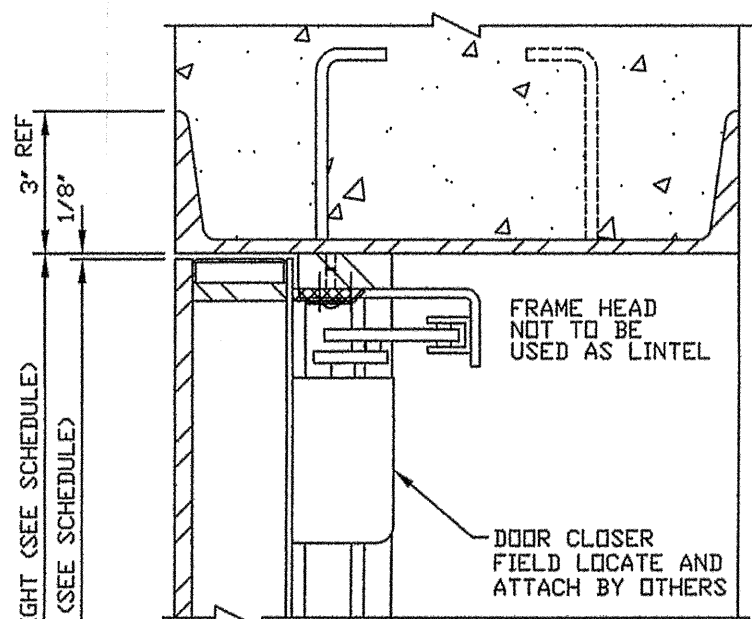
QUAN.	MARK NO	HAND	LOCATION		EXISTING WALL OPNG		FRAME OPNG		DOOR SIZE		DOOR ELEV	SECTIONS				REMARKS	
			HINGE SIDE	STOP SIDE	WIDTH	HEIGHT	WIDTH	HEIGHT	WIDTH	HEIGHT		HINGE	STRIKE	HEAD	SILL		
1	SGL	A102-A	LHRB	EXTERIOR	INTERIOR	NA	NA	36"	84"	35 3/4"	83 3/8"	A	1	2	3	4	BLDG 723 BAY 2
1	SGL	A103-A	LHRB	EXTERIOR	INTERIOR	NA	NA	36"	84"	35 3/4"	83 3/8"	A	1	2	3	4	BLDG 723 BAY 2
1	SGL	A103-B	LHRB	EXTERIOR	INTERIOR	NA	NA	36"	84"	35 3/4"	83 3/8"	A	1	2	3	4	BLDG 723 BAY 2



- NOTES:**
- DESIGN PRESSURE: 27.5 PSI PEAK REFLECTIVE (Pr) SEATING PRESSURE FOR 4.15 MILLISECONDS WITH REBOUND AS CALCULATED
 - FINISH: ZRC GREY PRIMER
 - FIRE RATING: NONE
 - HARDWARE BY PDI:
 - (1) PR SH-461 6 WAY ADJUST HINGES x USP FINISH
 - (1) SH-153PC 2 PT HORIZONTAL HARDWARE LEVER x EXIT BAR TRIM x US32D FINISH (LESS CYL)
 - (1) YALE #4400 CLOSER x PA x ALUM FINISH
 - (1) PDI H-280W WEATHERSTRIP x USP FINISH
 - (1) PDI H-344 SILL SWEEP x USP FINISH
 - (1) PEMKO #272A/196A THRESHOLD x ALUM
 - (1) PARKER #CW225 PNEUMATIC LIMIT SWITCH
 - (1) PDI NAMEPLATE x STAIN STEEL
 - (1) RIM CYLINDER x 626 FINISH

IMPORTANT NOTE:
WALL MUST BE CAPABLE OF SUPPORTING 96 LB/IN PER JAMB IN THE SEATING DIRECTION AND UNSEATING CONCENTRATED LOADS AS FOLLOWS:
AT LATCHBOLTS 4672 LBS
AT REBOUND BARS 4672 LBS


- FRAME INSTALLATION**
- PROPERLY BRACE AND SUPPORT FRAME DURING INSTALLATION.
 - JAMBS MUST BE PLUMB.
 - HEAD MUST BE LEVEL.
 - ALL DIMENSIONS TO BE WITHIN 1/16".
 - DIAGONAL DIMENSIONS TO BE WITHIN 1/8".



- (1) PR SH-461 6 WAY ADJUST HINGES FASTEN TO FRAME W/ (2) 1/2-13 x 1 1/4 LG SHCS FASTEN TO DOOR W/ (3) 1/2-13 x 1 1/2 LG SHCS
- MIN REQD FOR HINGE ADJUST 5'

NOTICE
THIS IS A CONFIDENTIAL DISCLOSURE LOANED BY PROTECTIVE DOOR IND. SUBJECT TO THE CONDITIONS THAT IT AND THE INFORMATION EMBODIED THEREIN SHALL BE USED ONLY FOR RECORD AND REFERENCE PURPOSES, SHALL NOT BE USED OR CAUSED TO BE USED IN ANYWAY PREJUDICIAL TO THE INTEREST OF THIS COMPANY, SHALL NOT BE REPRODUCED OR COPIED IN WHOLE OR IN PART, AND SHALL BE RETURNED UPON REQUEST.

GENERAL CONDITIONS
P.D.I. WILL NOT BE LIABLE FOR ANY ERRORS OCCURRING TO OTHER TRADES THROUGH THE USE OF THIS DRAWING.
CONTRACTOR TO CHECK ALL DIMENSIONS AT JOB AS P.D.I. ASSUMES NO RESPONSIBILITY FOR GENERAL BUILDING DIMENSIONS.

DATE	MK	DESCRIPTION	BY
REVISIONS			
CUSTOMER			
PROJECT			
 PROTECTIVE DOOR INDUSTRIES HARVEY, ILLINOIS 60426			
TITLE		DB-X SGL BLAST RESISTANT DOOR AND FRAME	
DWG BY	MF	CHKD BY	
DATE	11/25/09	DATE	
SCALE		QA	
DWG NO.	1843-09	SHT NO.	1

MASTER