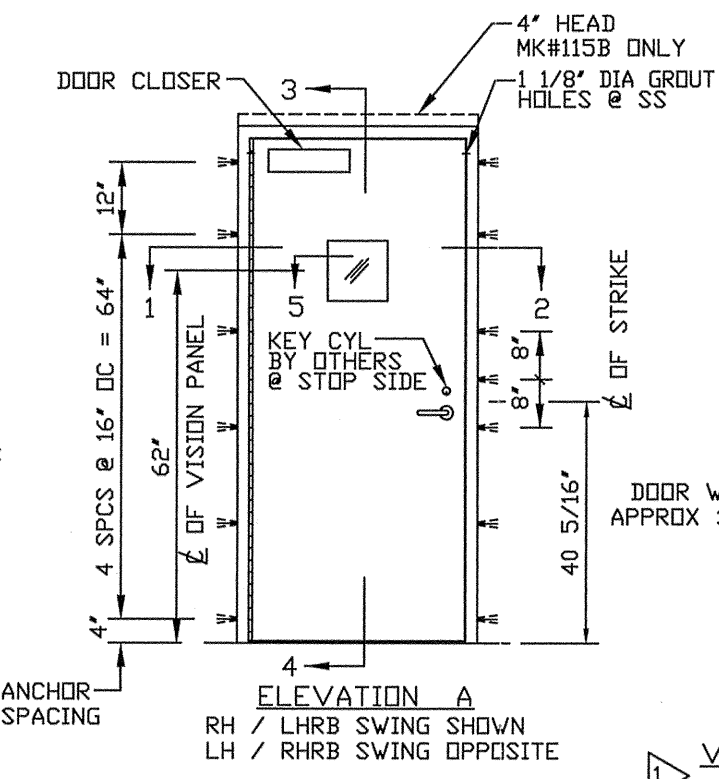
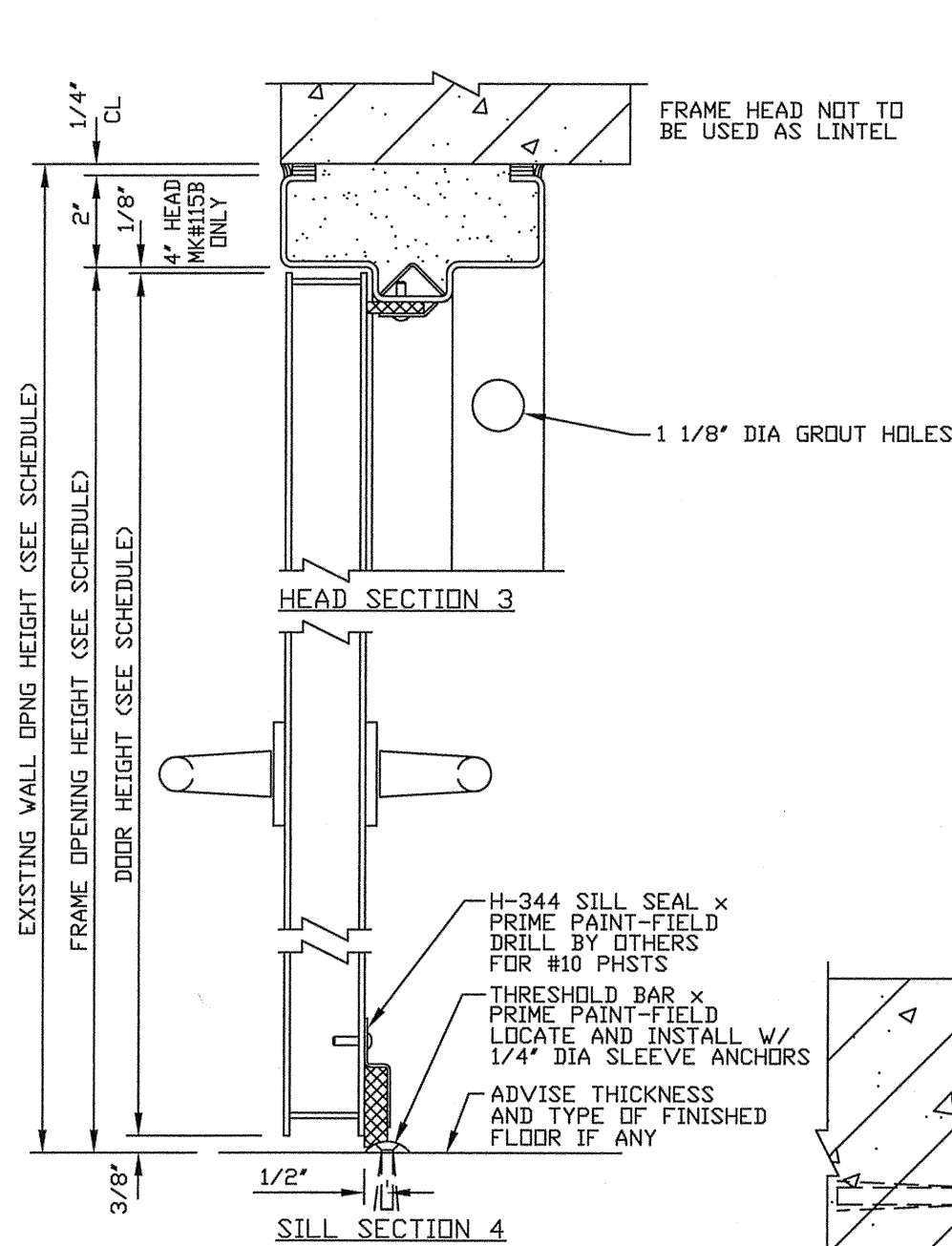
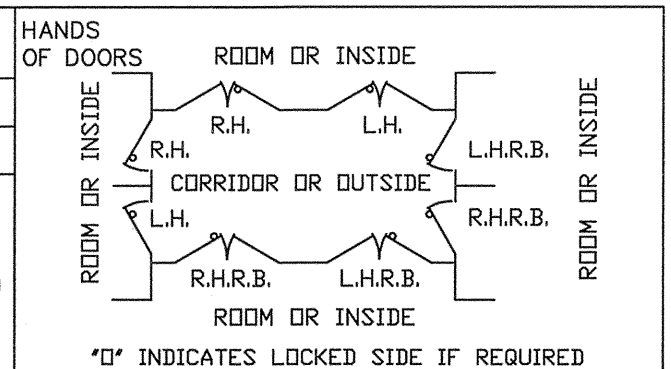
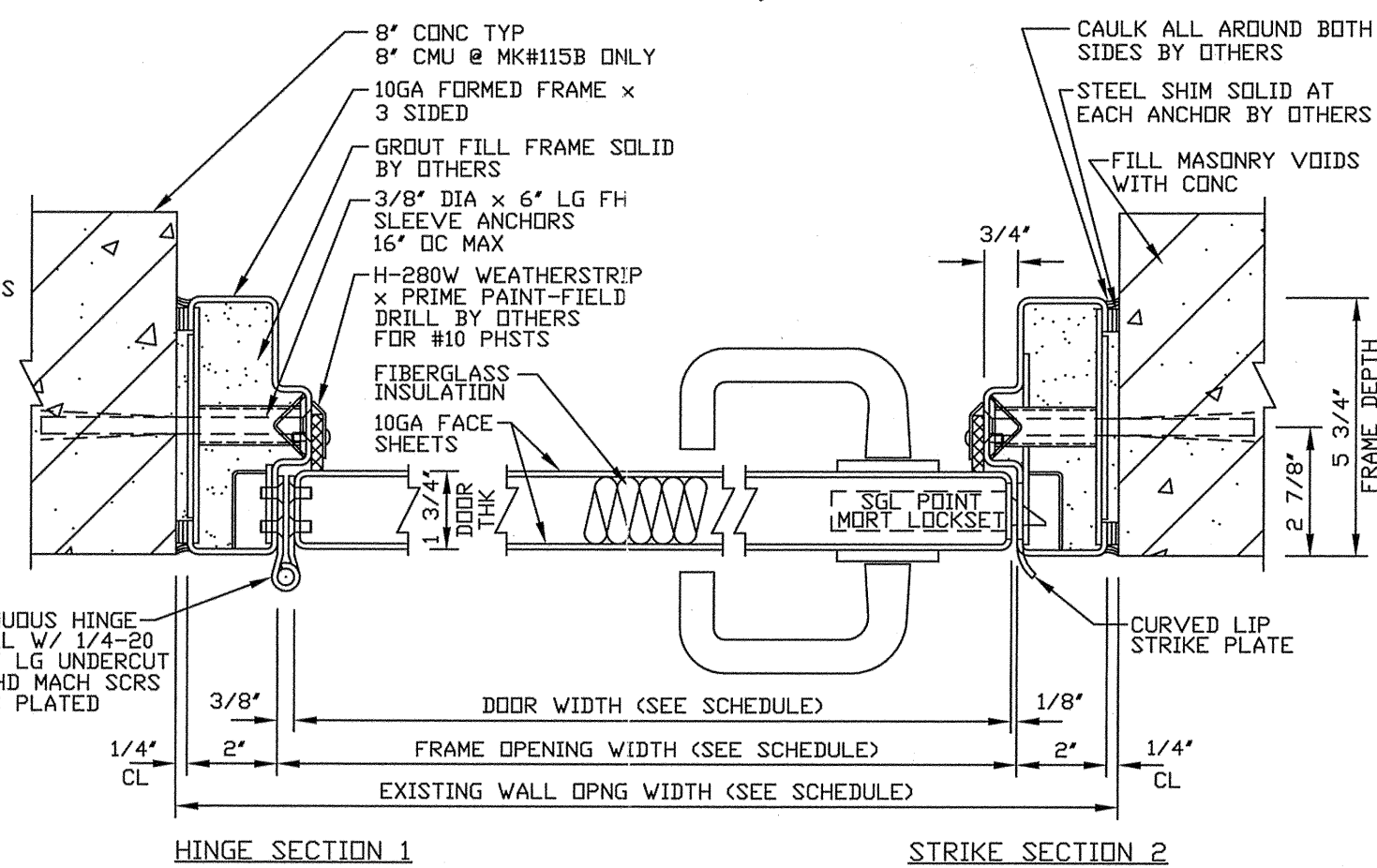
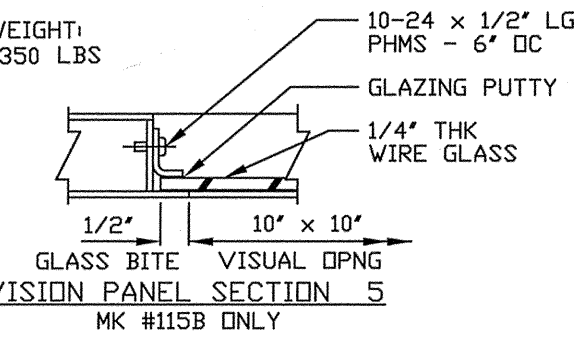


QUAN.	MARK NO	HAND	LOCATION		EXISTING WALL OPNG		FRAME OPNG		DOOR SIZE		DOOR ELEV	SECTIONS				REMARKS
			HINGE SIDE	STOP SIDE	WIDTH	HEIGHT	WIDTH	HEIGHT	WIDTH	HEIGHT		HINGE	STRIKE	HEAD	SILL	
4	105B, 107A 112B, 115B	LH	SPRAY DRYER 105	VARIES	40 1/2"	86 1/4" 88 1/4" @ 115B	36"	84"	35 1/2"	83 1/2"	A	1	2	3	4	VP SECTION 5 MK #115B ONLY
1	105A	RH	SPRAY DRYER 105	CORR 108	40 1/2"	86 1/4"	36"	84"	35 1/2"	83 1/2"	A	1	2	3	4	FLUSH



IMPORTANT NOTE:
WALL MUST BE CAPABLE OF SUPPORTING 14 LB/IN PER JAMB IN THE SEATING AND UNSEATING DIRECTION WITH A CONCENTRATED LOAD AT THE LATCHBOLT OF 1252 LBS IN THE UNSEATING DIRECTION

- FRAME INSTALLATION**
1. PROPERLY BRACE AND SUPPORT FRAME DURING INSTALLATION
 2. JAMBS MUST BE PLUMB
 3. HEAD MUST BE LEVEL
 4. ALL DIMENSIONS TO BE WITHIN 1/16"
 5. DIAGONAL DIMENSIONS TO BE TO BE WITHIN 1/8"



NOTICE
THIS IS A CONFIDENTIAL DISCLOSURE LOANED BY PROTECTIVE DOOR IND. SUBJECT TO THE CONDITIONS THAT IT AND THE INFORMATION EMBODIED THEREIN SHALL BE USED ONLY FOR RECORD AND REFERENCE PURPOSES, SHALL NOT BE USED OR CAUSED TO BE USED IN ANYWAY PREJUDICIAL TO THE INTEREST OF THIS COMPANY, SHALL NOT BE REPRODUCED OR COPIED IN WHOLE OR IN PART, AND SHALL BE RETURNED UPON REQUEST.

GENERAL CONDITIONS
P.D.I. WILL NOT BE LIABLE FOR ANY ERRORS OCCURRING TO OTHER TRADES THROUGH THE USE OF THIS DRAWING.
CONTRACTOR TO CHECK ALL DIMENSIONS AT JOB AS P.D.I. ASSUMES NO RESPONSIBILITY FOR GENERAL BUILDING DIMENSIONS.

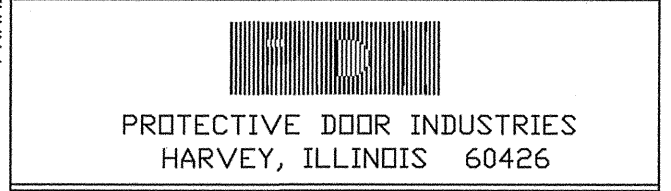
- NOTES:**
1. DESIGN PRESSURE: 100 PSF STATIC EQUIVALENT PRESSURE W/ 100% REBOUND
 2. FIRE RATING: UL 3 HR (A) FIRE LABEL @ MK# 105A, 105B, 107A, 112B UL 1 1/2 HR (B) FIRE LABEL @ MK 115B ONLY
 3. FINISH: ZRC GREY PRIMER
 4. HARDWARE BY PDI:
 - (1) CONTINUOUS HINGE-10GA STEEL LEAVES x 1/4" DIA SS PIN x USP FINISH
 - (1) CORBIN #ML2055 MORTISED LOCKSET x LWA LEVER TRIM x US32D FINISH (LESS CYL) FUNCTION F05 CLASSROOM (MODIFIED TO RESIST PRESSURE)
 - (1) YALE #4400 DOOR CLOSER x REGULAR ARM x ALUM FINISH
 - (1) PDI H-280W WEATHERSTRIP x USP FINISH
 - (1) PDI H-344 SILL SWEEP x USP FINISH
 - (1) PDI HALF OVAL THRESHOLD BAR x USP FINISH
 5. HARDWARE BY OTHERS:
 - (1) MORTISED KEY CYLINDER x 1 1/8" LG x CAM FOR CORBIN MORTISED LOCKSET

3/2/10	1	PER APPROVAL DRAWINGS	LF
DATE	MK	DESCRIPTION	BY

REVISIONS

CUSTOMER:

PROJECT:



TITLE DB-100 SINGLE BLAST RESISTANT DOOR AND FRAME	
DWG BY LF	CHKD BY
DATE 2/5/10	DATE
SCALE	QA
DWG NO. 1848-10	SHT NO. 1

PLOT SCALE 1=4

MASTER