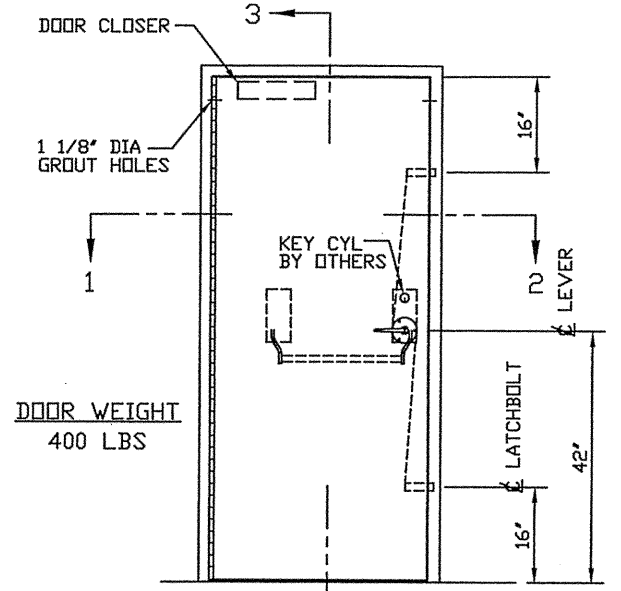
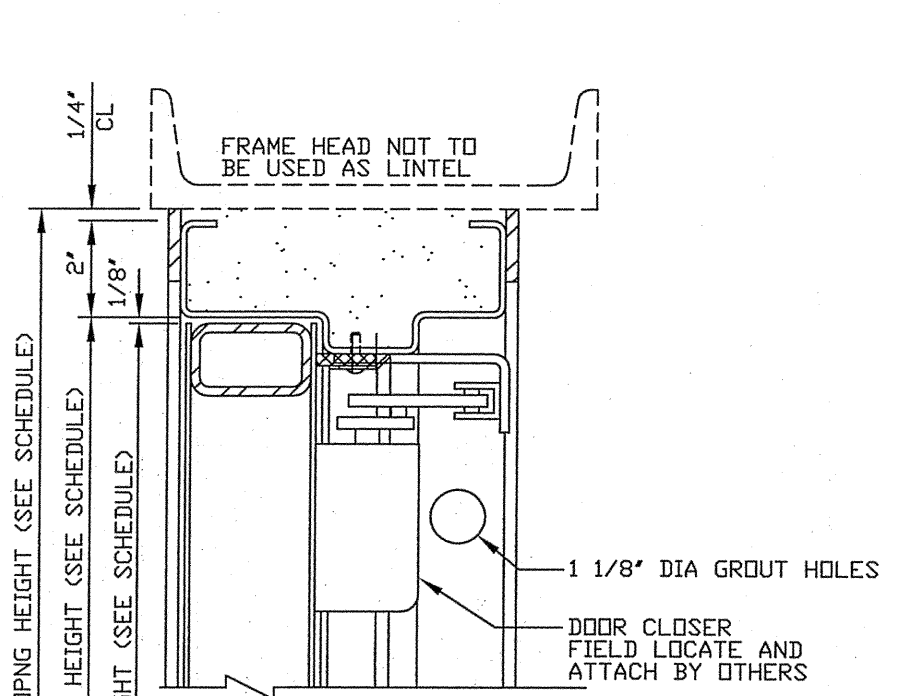
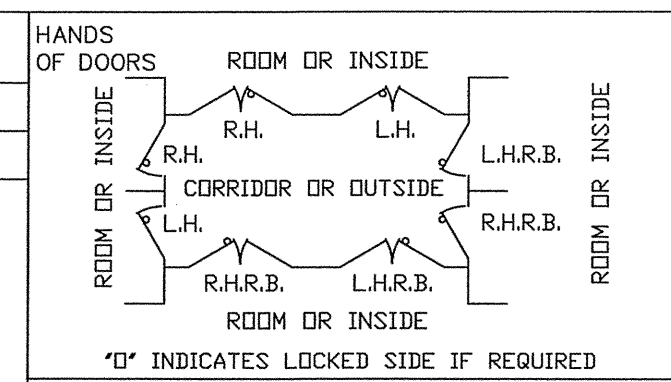
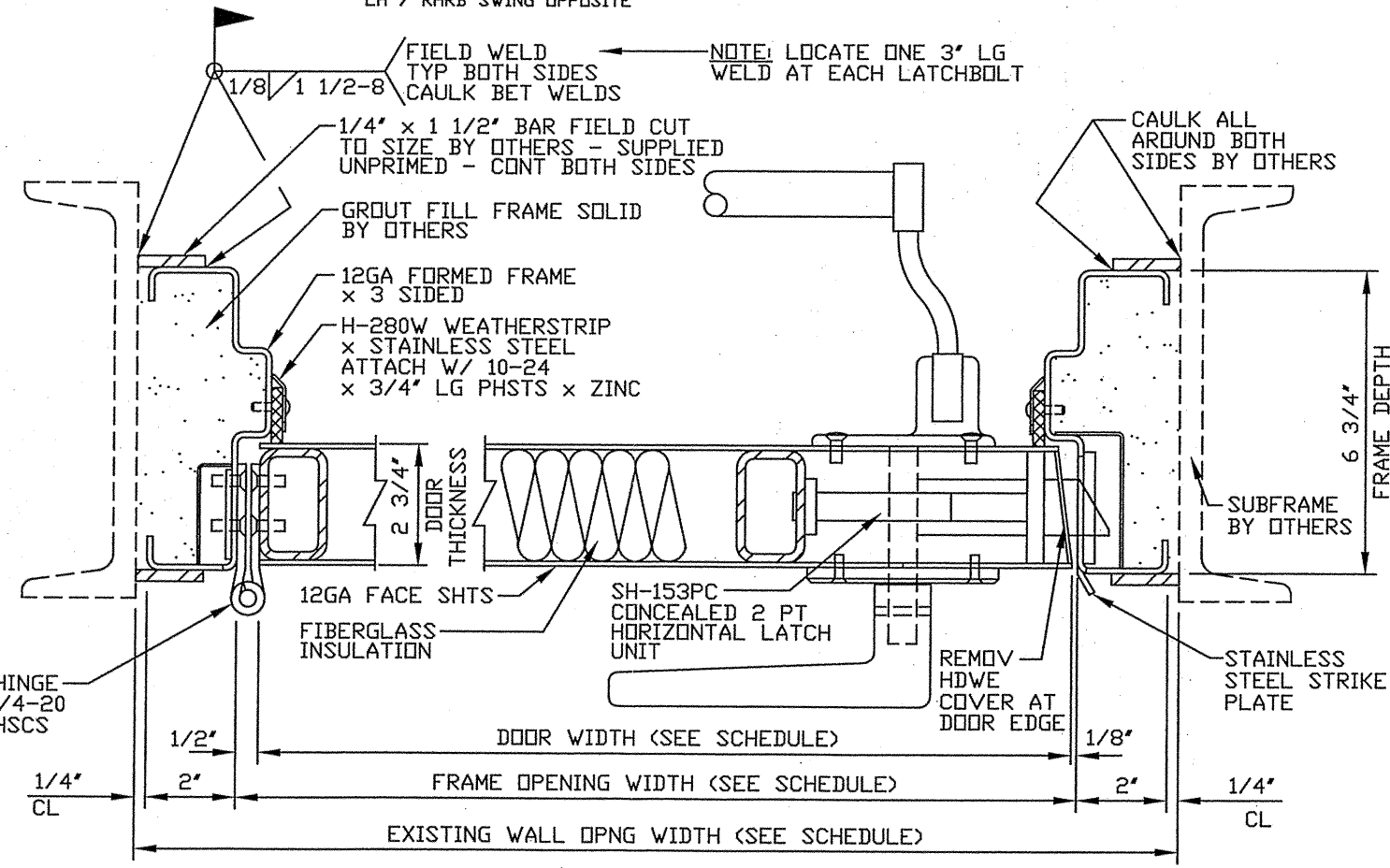
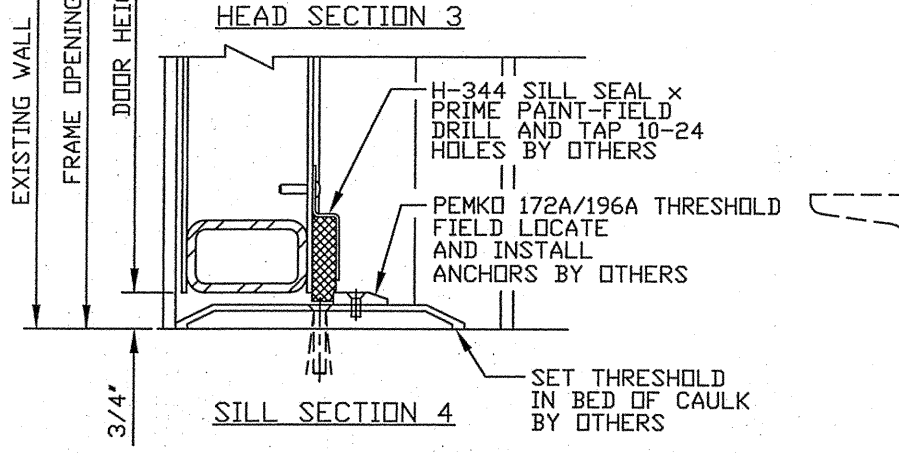


QUAN.	MARK NO	HAND	LOCATION		EXISTING WALL OPNG		FRAME OPNG		DOOR SIZE		DOOR ELEV	SECTIONS				REMARKS
			HINGE SIDE	STOP SIDE	WIDTH	HEIGHT	WIDTH	HEIGHT	WIDTH	HEIGHT		HINGE	STRIKE	HEAD	SILL	
3	SGL	1-3	EXTERIOR	INTERIOR	40 1/2"	86 1/4"	36"	84"	35 3/8"	83 1/8"	A	1	2	3	4	
	(2)	RHRB	(1)	LHRB												



IMPORTANT NOTE:
WALL MUST BE CAPABLE OF SUPPORTING 60 LB/IN PER JAMB IN THE SEATING DIRECTION AND UNSEATING CONCENTRATED LOADS AS FOLLOWS:
AT LATCHBOLTS 2646 LBS
AT HINGE 45 LB/IN

- FRAME INSTALLATION**
1. PROPERLY BRACE AND SUPPORT FRAME DURING INSTALLATION
 2. JAMBS MUST BE PLUMB
 3. HEAD MUST BE LEVEL
 4. ALL DIMENSIONS TO BE WITHIN 1/16"
 5. DIAGONAL DIMENSIONS TO BE WITHIN 1/8"




- NOTES:**
1. STATIC DESIGN PRESSURE: 3 PSI STATIC EQUIVALENT PRESSURE W/ 100% REBOUND
 2. FINISH: PDI STD GREY PRIMER
 3. FIRE RATING: NONE
 4. HARDWARE BY PDI:
 - (1) CONTINUOUS HINGE x DOOR HEIGHT 8GA STAIN STL LEAVES x 3/8" DIA SS PIN x 6" OPEN WIDTH x BRUSHED FINISH
 - (1) SH-153PC 2 PT HORIZONTAL HARDWARE LEVER x EXIT BAR TRIM x KEY CYL (PREP) x US32D FINISH FUNCTION: SIM TO 08
 - (1) YALE #4400 DOOR CLOSER x PA x ALUM FIN
 - (1) PDI H-280W WEATHERSTRIP x STAIN STL
 - (1) PDI H-344 SILL SWEEP x USP FINISH
 - (1) PEMKO #172A/196A THRESHOLD x ALUM
 5. HARDWARE BY OTHERS:
 - (1) RIM KEY CYLINDER - SHIP TO PDI FOR FACTORY INSTALLATION

DATE	MK	DESCRIPTION	BY
5/13/10	1	ADDED HANDING	LF

REVISIONS

CUSTOMER:
PROJECT:


PROTECTIVE DOOR INDUSTRIES
HARVEY, ILLINOIS 60426

TITLE: DB-200 SGL BLAST RESISTANT DOOR AND FRAME

DWG BY	LF	CHKD BY	
DATE	4/22/10	DATE	
SCALE		QA	
DWG NO.	1859-10	SHT NO.	1

NOTICE
THIS IS A CONFIDENTIAL DISCLOSURE LOANED BY PROTECTIVE DOOR IND. SUBJECT TO THE CONDITIONS THAT IT AND THE INFORMATION EMBODIED THEREIN SHALL BE USED ONLY FOR RECORD AND REFERENCE PURPOSES, SHALL NOT BE USED OR CAUSED TO BE USED IN ANYWAY PREJUDICIAL TO THE INTEREST OF THIS COMPANY, SHALL NOT BE REPRODUCED OR COPIED IN WHOLE OR IN PART, AND SHALL BE RETURNED UPON REQUEST.

GENERAL CONDITIONS
P.D.I. WILL NOT BE LIABLE FOR ANY ERRORS OCCURRING TO OTHER TRADES THROUGH THE USE OF THIS DRAWING.
CONTRACTOR TO CHECK ALL DIMENSIONS AT JOB AS P.D.I. ASSUMES NO RESPONSIBILITY FOR GENERAL BUILDING DIMENSIONS.

PLOT SCALE 1=4
1859-1