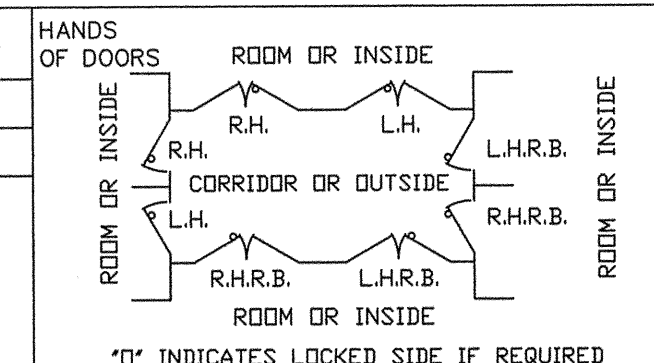


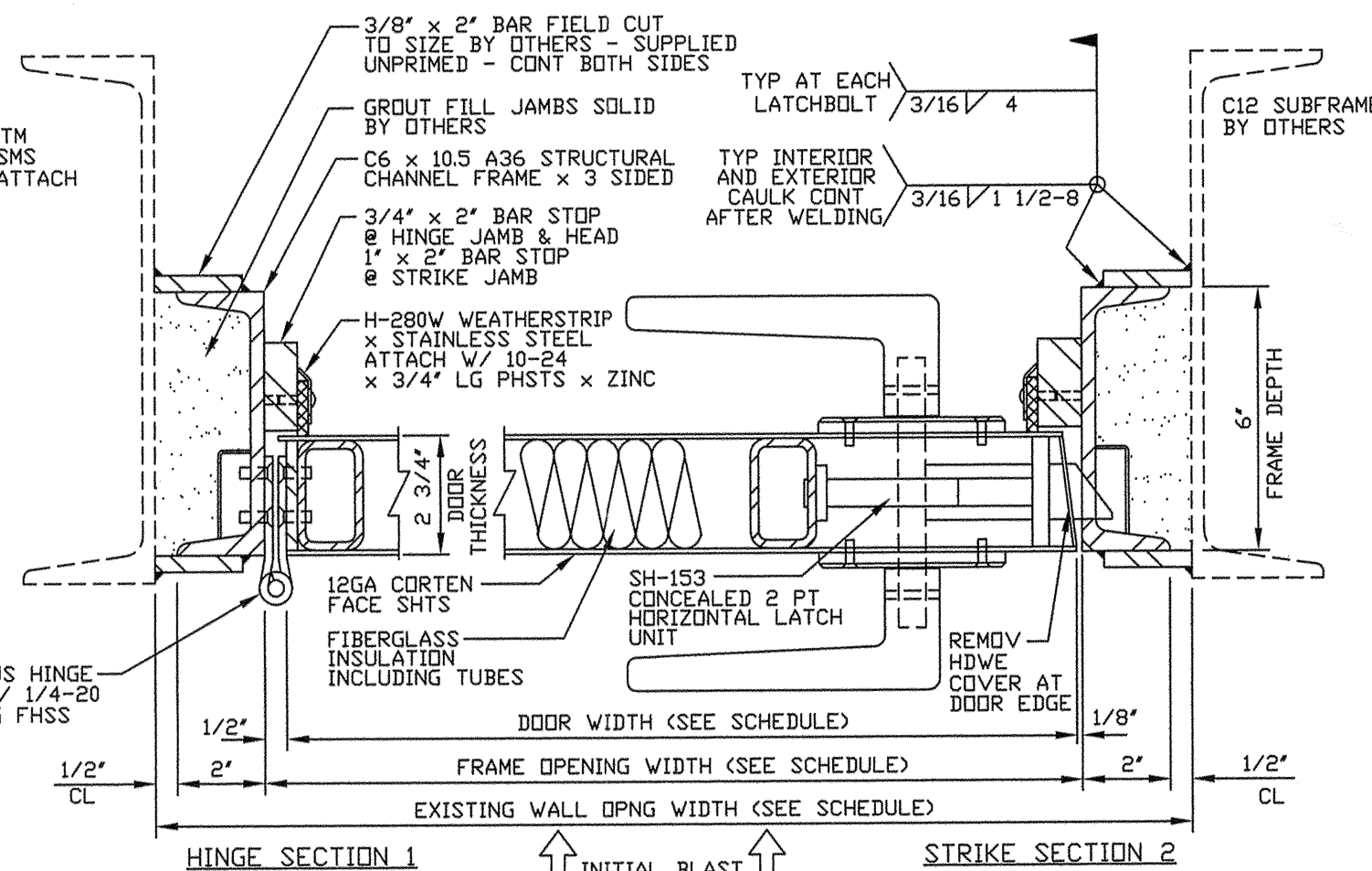
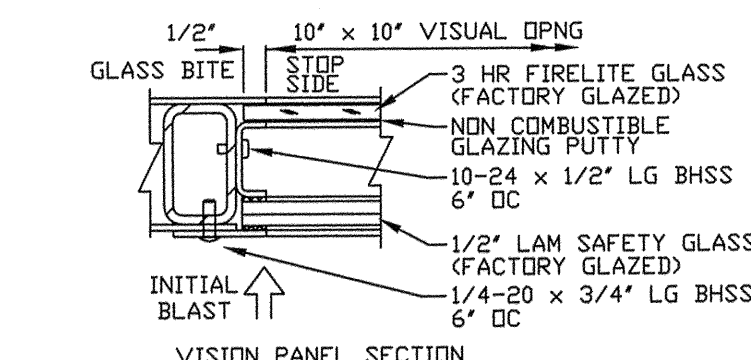
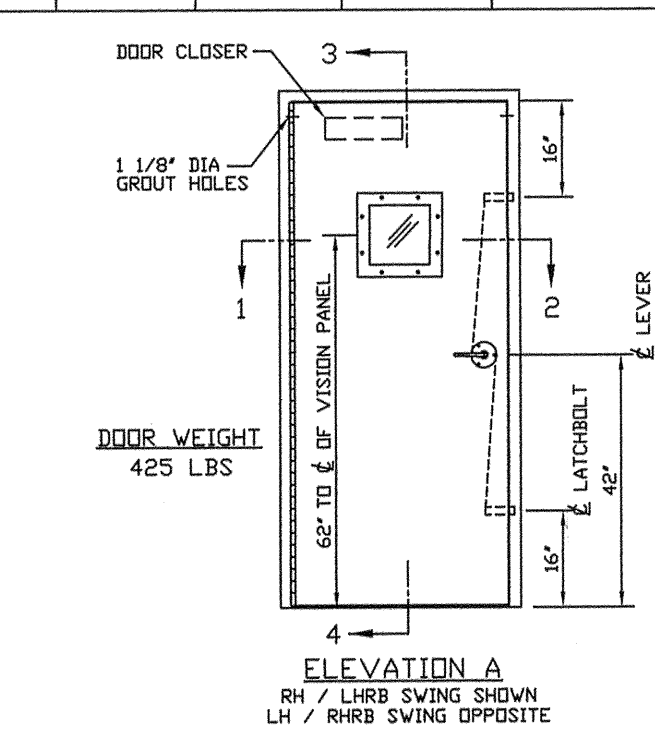
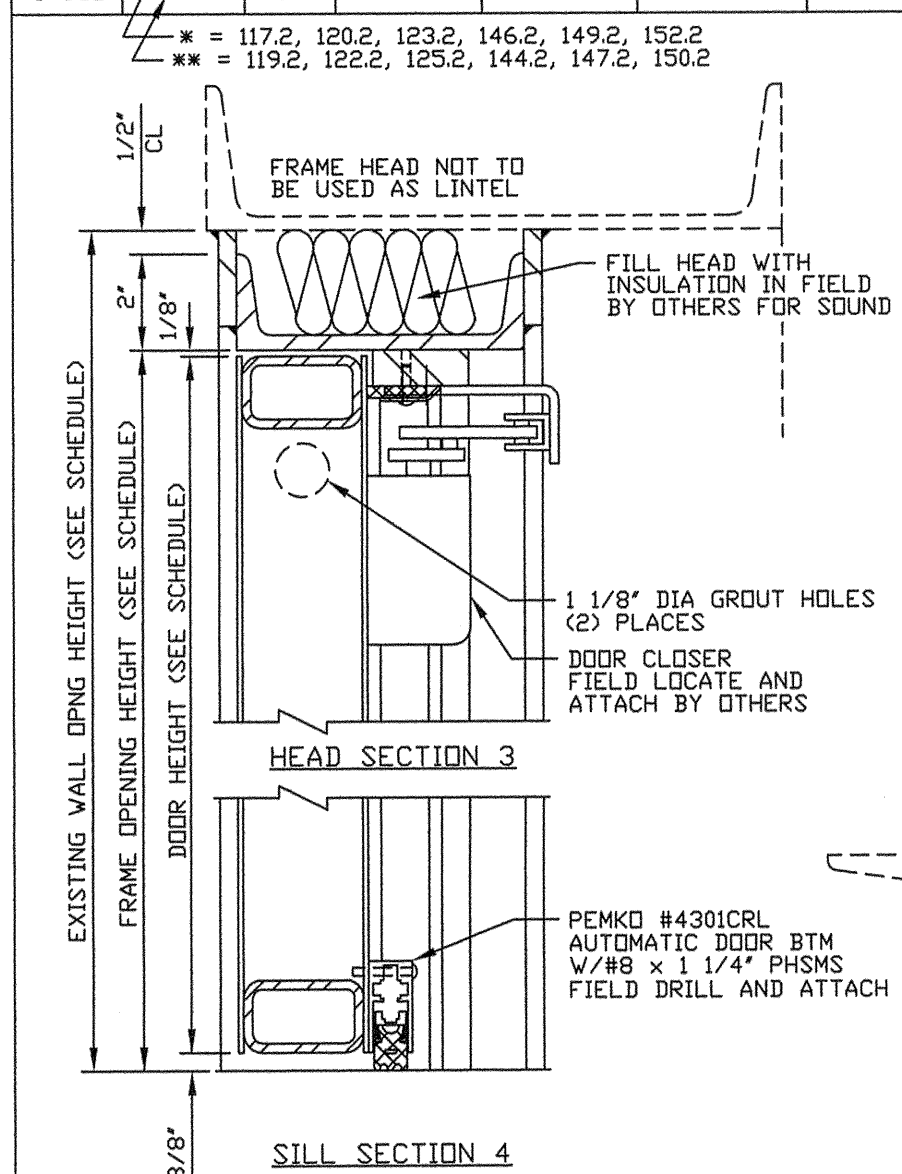
QUAN.	MARK NO	HAND	LOCATION		EXISTING WALL OPNG		FRAME OPNG		DOOR SIZE		DOOR ELEV	SECTIONS				REMARKS
			HINGE SIDE	STOP SIDE	WIDTH	HEIGHT	WIDTH	HEIGHT	WIDTH	HEIGHT		HINGE	STRIKE	HEAD	SILL	
6 SGL	*	RH	TEST CELL	CONTROL RM	41"	86 1/2"	36"	84"	35 3/8"	83 1/2"	A	1	2	3	4	
6 SGL	**	LH	TEST CELL	CONTROL RM	41"	86 1/2"	36"	84"	35 3/8"	83 1/2"	A	1	2	3	4	



- NOTES:**
- DESIGN PRESSURE: 6.0 STATIC EQUIVALENT PRESSURE WITH 100% REBOUND
 - FIRE RATING: UL 3 HR (A) FIRE LABEL
 - FINISH: KEM KROMIK GREY PRIMER
 - HARDWARE BY PDI: (PER OPENING)
 - (1) CONTINUOUS HINGE x DOOR HEIGHT 7GA LEAVES x 1/2" DIA SS PIN x 6" OPEN WIDTH x USP FINISH
 - (1) SH-153 2 PT HORIZONTAL HARDWARE LEVER x LEVER TRIM x US32D FINISH FUNCTION: PASSAGE
 - (1) YALE #4400 CLOSER x PA x ALUM FINISH
 - (1) PDI H-280W WEATHERSTRIP x STAIN STL
 - (1) PEMKO #4301CRL AUTO DOOR BOTTOM x ALUM
 - HARDWARE BY OTHERS: ANY HARDWARE NOT LISTED ABOVE

IMPORTANT NOTE:
WALL MUST BE CAPABLE OF SUPPORTING 108 LB/IN PER JAMB IN THE SEATING DIRECTION AND UNSEATING CONCENTRATED LOADS AS FOLLOWS:
AT LATCHBOLTS 5292 LBS
AT CONT HINGE 91 LB/IN

- FRAME INSTALLATION**
- PROPERLY BRACE AND SUPPORT FRAME DURING INSTALLATION
 - JAMBS MUST BE PLUMB
 - HEAD MUST BE LEVEL
 - ALL DIMENSIONS TO BE WITHIN 1/16"
 - DIAGONAL DIMENSIONS TO BE WITHIN 1/8"



NOTICE
THIS IS A CONFIDENTIAL DISCLOSURE LOANED BY PROTECTIVE DOOR IND. SUBJECT TO THE CONDITIONS THAT IT AND THE INFORMATION EMBODIED THEREIN SHALL BE USED ONLY FOR RECORD AND REFERENCE PURPOSES, SHALL NOT BE USED OR CAUSED TO BE USED IN ANYWAY PREJUDICIAL TO THE INTEREST OF THIS COMPANY, SHALL NOT BE REPRODUCED OR COPIED IN WHOLE OR IN PART, AND SHALL BE RETURNED UPON REQUEST.

GENERAL CONDITIONS
P.D.I. WILL NOT BE LIABLE FOR ANY ERRORS OCCURRING TO OTHER TRADES THROUGH THE USE OF THIS DRAWING.
CONTRACTOR TO CHECK ALL DIMENSIONS AT JOB AS P.D.I. ASSUMES NO RESPONSIBILITY FOR GENERAL BUILDING DIMENSIONS.

DATE	MK	DESCRIPTION	BY
REVISIONS			
CUSTOMER:			
PROJECT:			
PROTECTIVE DOOR INDUSTRIES HARVEY, ILLINOIS 60426			
TITLE: DB-200 SGL BLAST RESISTANT DOOR AND FRAME			
DWG BY	MF	CHKD BY	
DATE	8/16/10	DATE	
SCALE		QA	
DWG NO.	1885-10	SHT NO.	1

MASTER