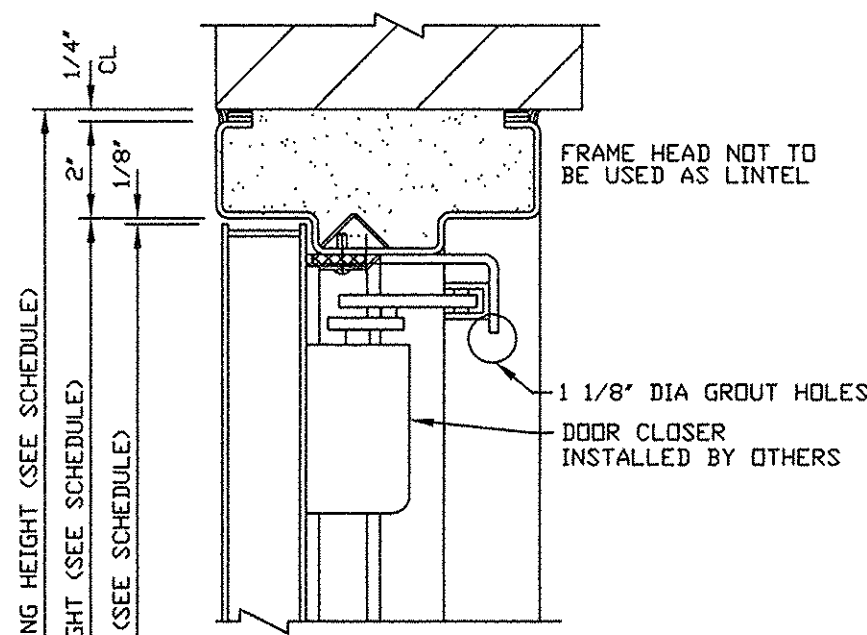
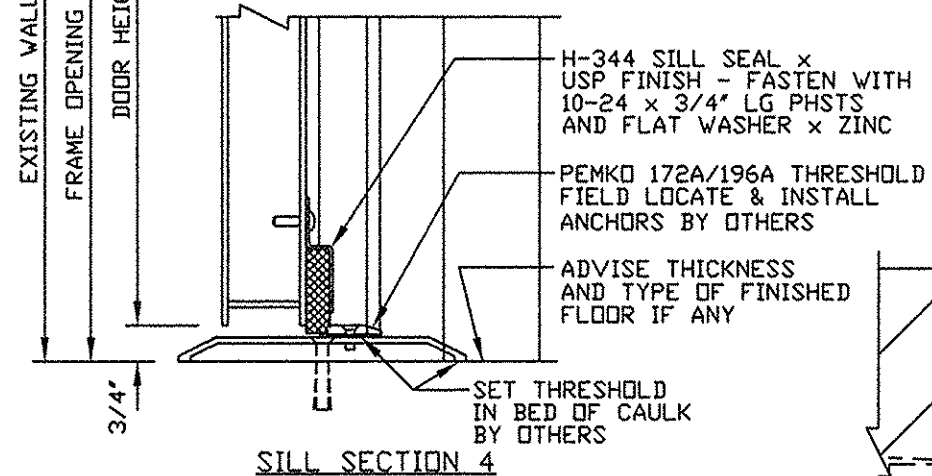


QUAN.	MARK NO	HAND	LOCATION		EXISTING WALL OPNG		FRAME OPNG		DOOR SIZE		DOOR ELEV	SECTIONS				REMARKS
			HINGE SIDE	STOP SIDE	WIDTH	HEIGHT	WIDTH	HEIGHT	WIDTH	HEIGHT		HINGE	STRIKE	HEAD	SILL	
1	SGL	1			40 1/2"	86 1/4"	36"	84"	35 1/2"	83 1/8"	A	1	2	3	4	VP SECTION 5
1	SGL	2			40 1/2"	86 1/4"	36"	84"	35 1/2"	83 1/8"	A	1	2	3	4	VP SECTION 5

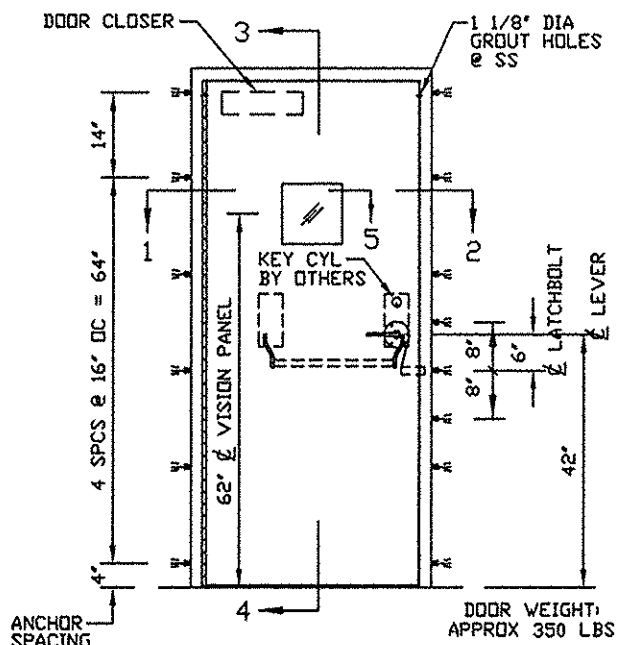
ADVISE ADVISE ADVISE



HEAD SECTION 3



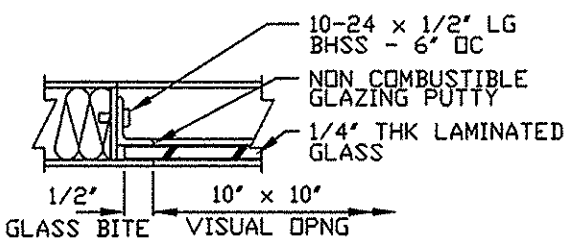
SILL SECTION 4



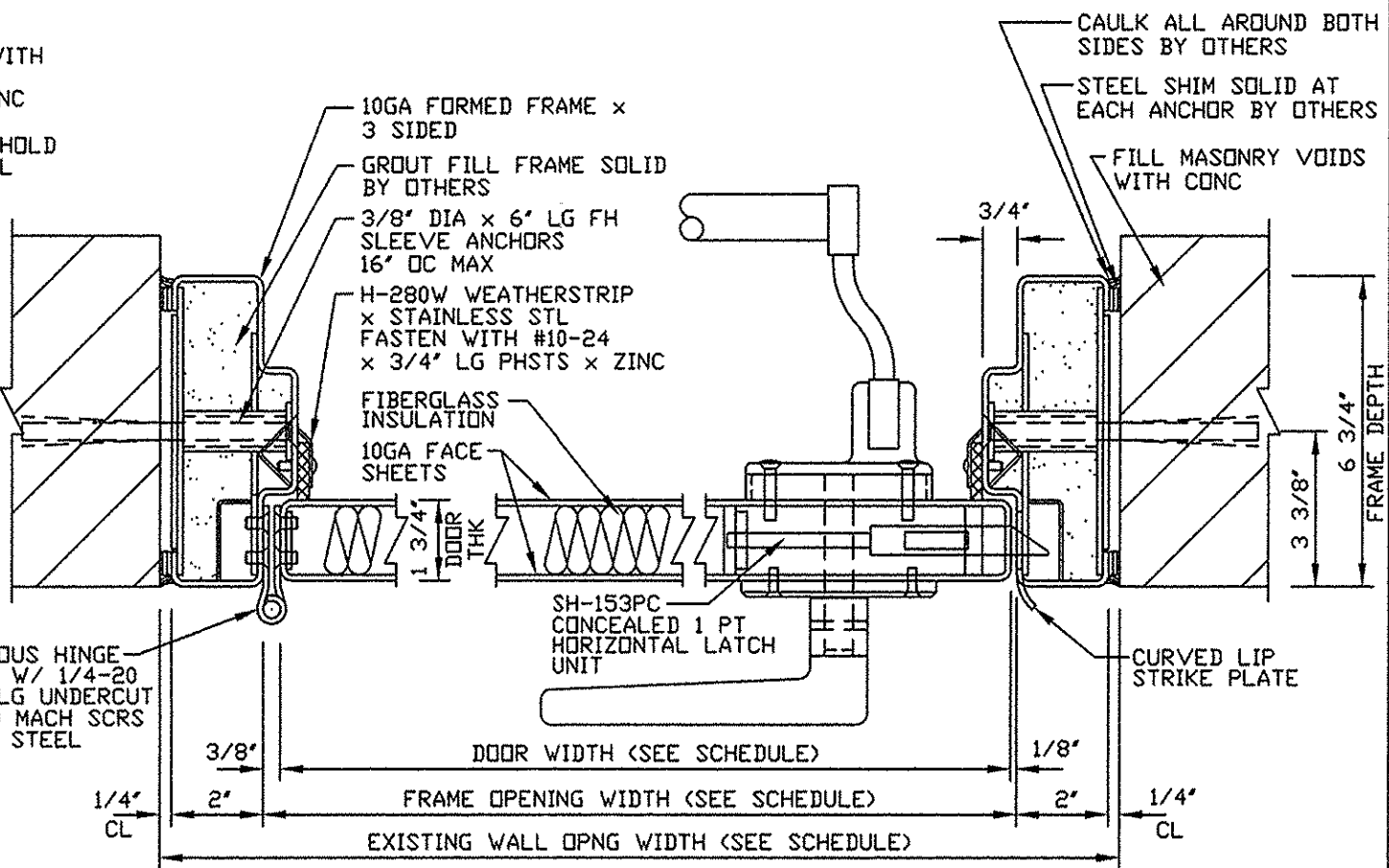
ELEVATION A  
RH / LHRB SWING SHOWN  
LH / RHRB SWING OPPOSITE

**IMPORTANT NOTE:**  
WALL MUST BE CAPABLE OF SUPPORTING 20 LB/IN PER JAMB IN THE SEATING AND UNSEATING DIRECTION WITH A CONCENTRATED LOAD AT THE LATCHBOLT OF 2100 LBS IN THE UNSEATING DIRECTION

- FRAME INSTALLATION**
1. PROPERLY BRACE AND SUPPORT FRAME DURING INSTALLATION
  2. JAMBS MUST BE PLUMB
  3. HEAD MUST BE LEVEL
  4. ALL DIMENSIONS TO BE WITHIN 1/16"
  5. DIAGONAL DIMENSIONS TO BE TO BE WITHIN 1/8"

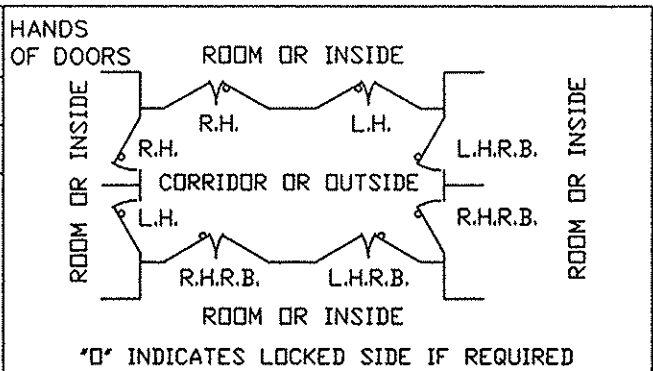


VISION PANEL SECTION 5



HINGE SECTION 1


STRIKE SECTION 2



- NOTES:**
1. DESIGN PRESSURE: 1 PSI STATIC EQUIVALENT PRESSURE W/ 100% REBOUND
  2. FIRE RATING: NONE
  3. FINISH: STD GREY PRIMER
  4. HARDWARE BY PDI:
    - (1) CONTINUOUS HINGE-11GA STAIN STL LEAVES x 1/4" DIA SS PIN x BRUSHED FINISH
    - (1) SH-153PC 1 PT HORIZONTAL HARDWARE LEVER x EXIT BAR TRIM x US32D FINISH LESS CYL - FUNCTION: SIM TO 08
    - (1) YALE #4400 DOOR CLOSER x PARALLEL ARM x ALUM FINISH
    - (1) PDI H-280W WEATHERSTRIP x SS FINISH
    - (1) PDI H-344 SILL SWEEP x USP FINISH
    - (1) PEMKO #172A/196A THRESHOLD x ALUM
  5. HARDWARE BY OTHERS:
    - (1) MORTISED KEY CYLINDER x US26D FINISH x LONG CAM - SHIP TO PDI FOR FACTORY INSTALLATION

DATE	MK	DESCRIPTION	BY
REVISIONS			

CUSTOMER:  
PROJECT:

  
 PROTECTIVE DOOR INDUSTRIES  
 HARVEY, ILLINOIS 60426

TITLE DB-100 SINGLE BLAST RESISTANT DOOR AND FRAME

DWG BY	MF	CHKD BY
DATE	10/27/11	DATE
SCALE		QA
DWG NO.	1966-11	SHT NO. 1

**NOTICE**  
THIS IS A CONFIDENTIAL DISCLOSURE LOANED BY PROTECTIVE DOOR IND. SUBJECT TO THE CONDITIONS THAT IT AND THE INFORMATION EMBODIED THEREIN SHALL BE USED ONLY FOR RECORD AND REFERENCE PURPOSES, SHALL NOT BE USED OR CAUSED TO BE USED IN ANYWAY PREJUDICIAL TO THE INTEREST OF THIS COMPANY, SHALL NOT BE REPRODUCED OR COPIED IN WHOLE OR IN PART, AND SHALL BE RETURNED UPON REQUEST.

**GENERAL CONDITIONS**  
P.D.I. WILL NOT BE LIABLE FOR ANY ERRORS OCCURRING TO OTHER TRADES THROUGH THE USE OF THIS DRAWING. CONTRACTOR TO CHECK ALL DIMENSIONS AT JOB AS P.D.I. ASSUMES NO RESPONSIBILITY FOR GENERAL BUILDING DIMENSIONS.

PLOT SCALE 1=4  
1966-1

MASTER