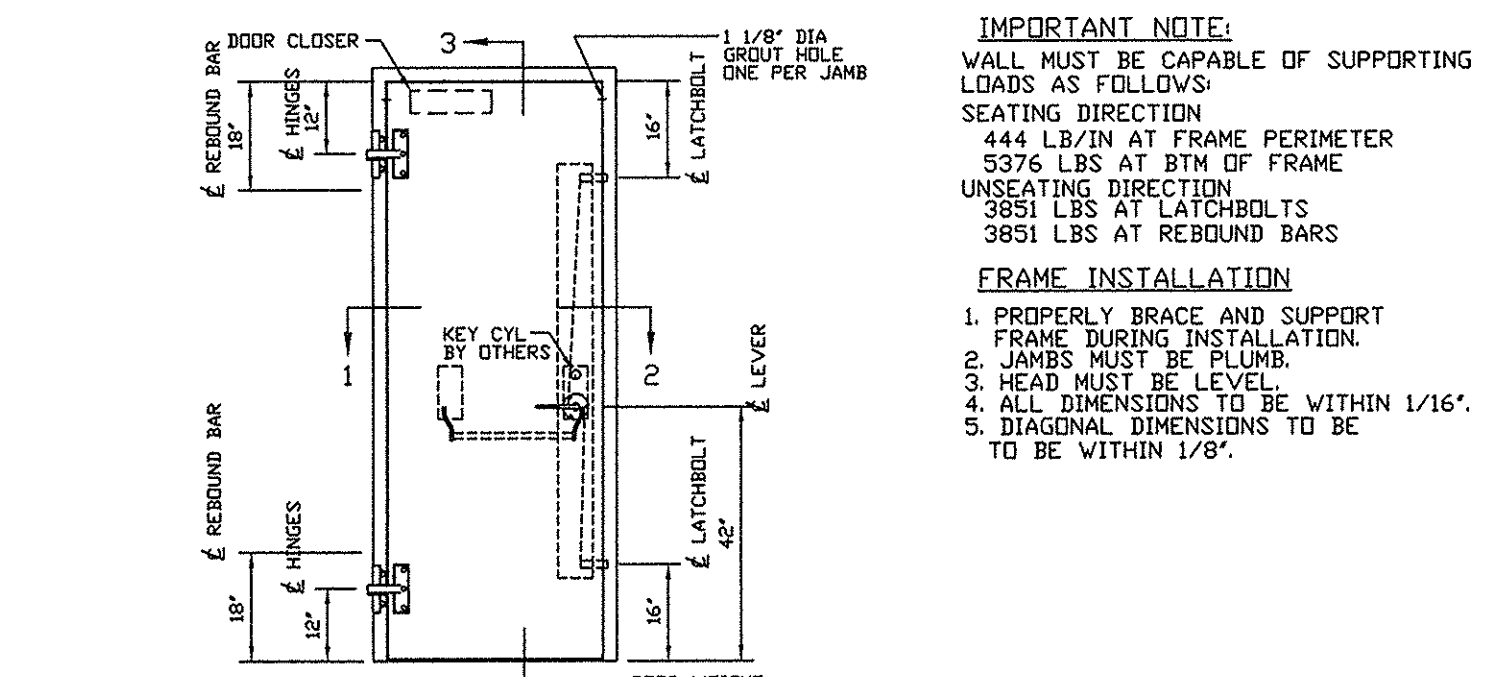
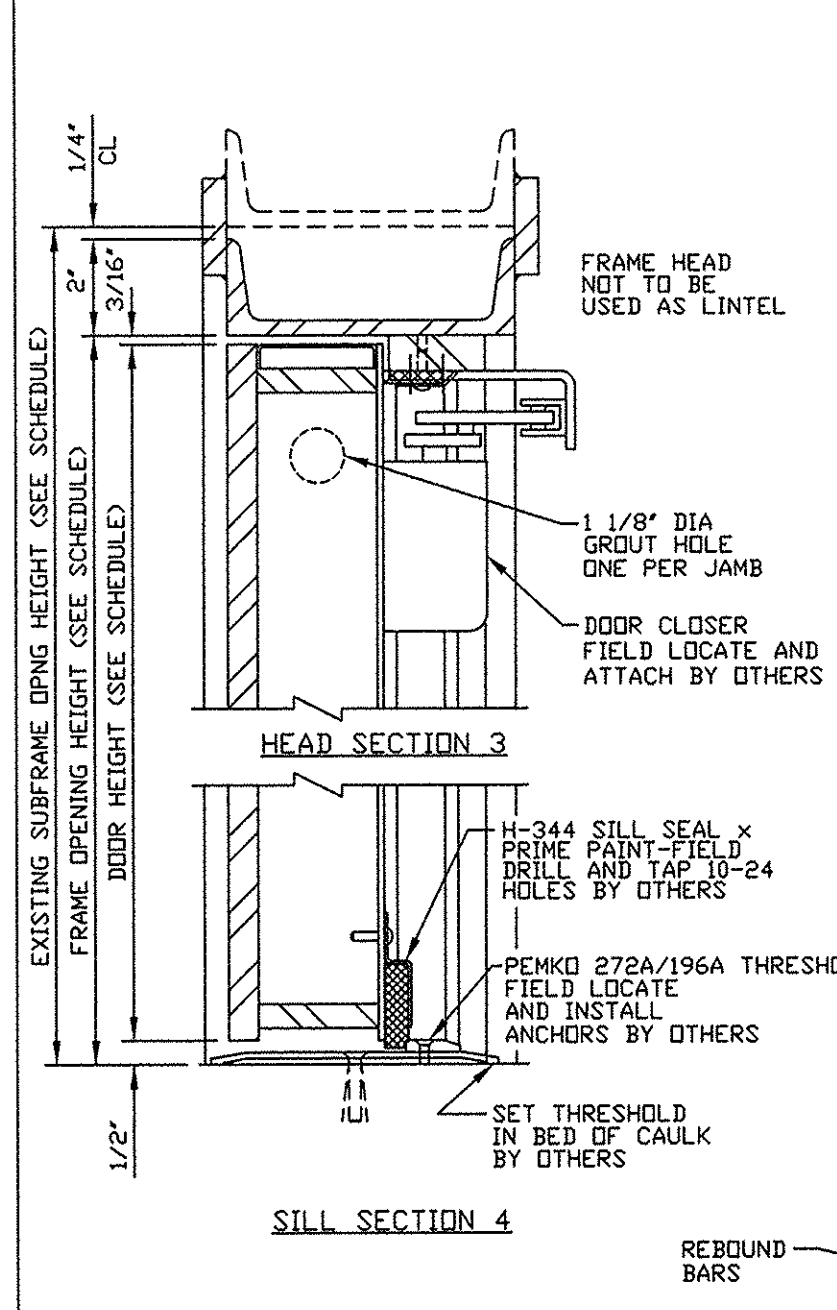
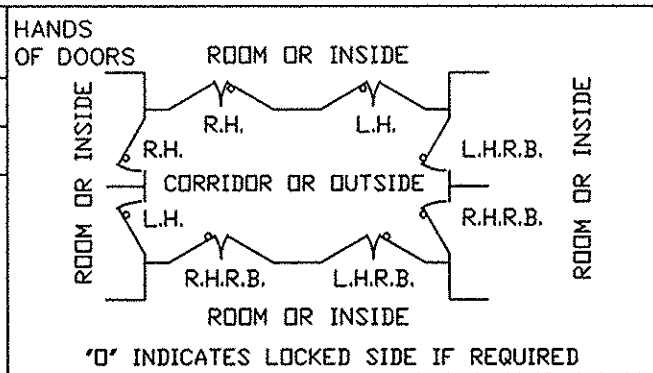


QUAN.	MARK NO	HAND	LOCATION		EXISTING WALL OPNG		FRAME OPNG		DOOR SIZE		DOOR ELEV	SECTIONS				REMARKS
			HINGE SIDE	STOP SIDE	WIDTH	HEIGHT	WIDTH	HEIGHT	WIDTH	HEIGHT		HINGE	STRIKE	HEAD	SILL	
1 SGL	1	RHRB	EXTERIOR	INTERIOR	40 1/2'	98 1/4'	36'	96'	35 3/4'	95 5/16'	A	1	2	3	4	
1 SGL	2	RHRB	EXTERIOR	INTERIOR	40 1/2'	98 1/4'	36'	96'	35 3/4'	95 5/16'	A	1	2	3	4	



IMPORTANT NOTE:
WALL MUST BE CAPABLE OF SUPPORTING LOADS AS FOLLOWS:
SEATING DIRECTION
444 LB/IN AT FRAME PERIMETER
5376 LBS AT BTM OF FRAME
UNSEATING DIRECTION
3851 LBS AT LATCHBOLTS
3851 LBS AT REBOUND BARS

FRAME INSTALLATION

1. PROPERLY BRACE AND SUPPORT FRAME DURING INSTALLATION.
2. JAMBS MUST BE PLUMB.
3. HEAD MUST BE LEVEL.
4. ALL DIMENSIONS TO BE WITHIN 1/16".
5. DIAGONAL DIMENSIONS TO BE TO BE WITHIN 1/8".

NOTES:

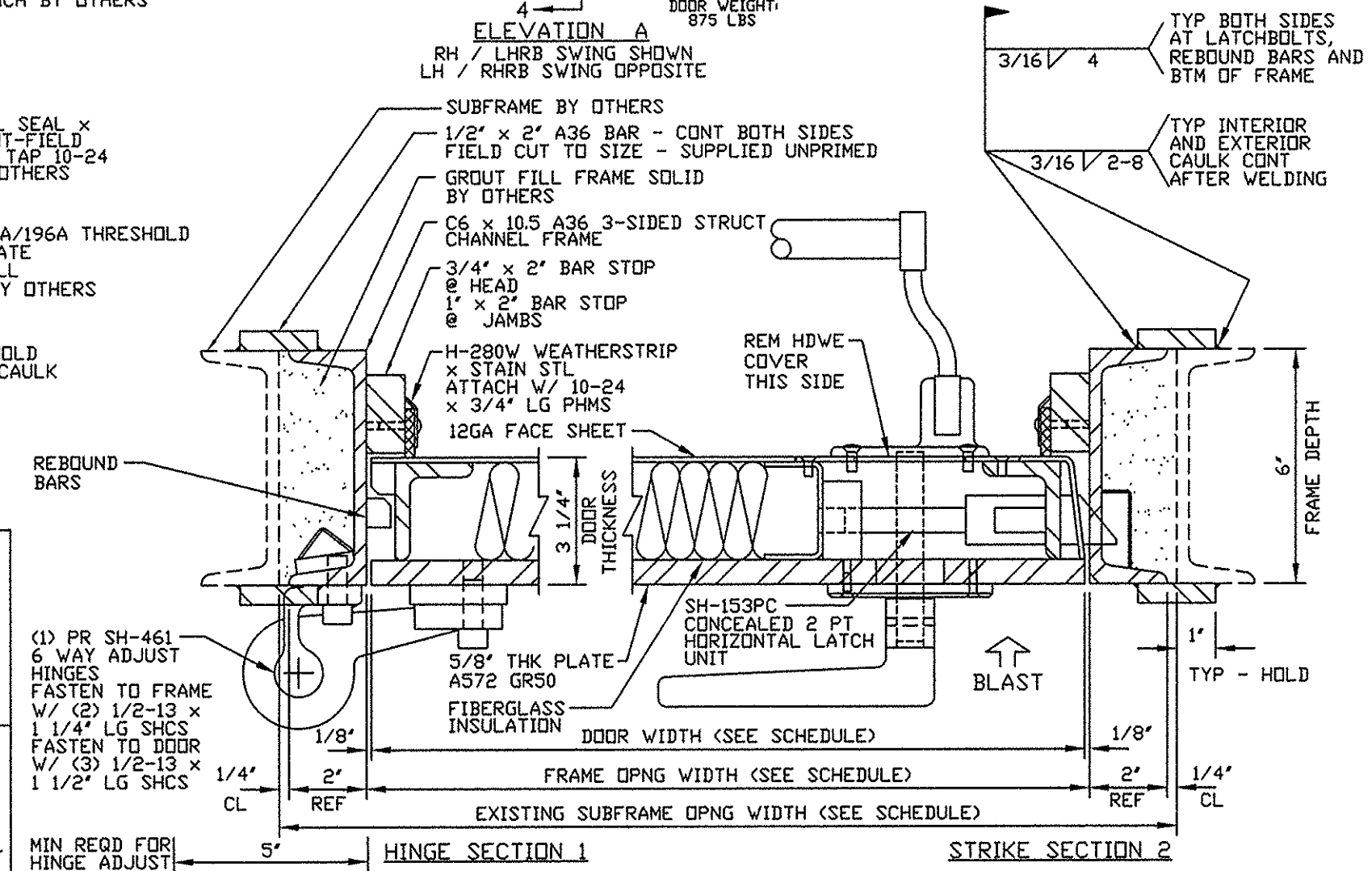
1. DESIGN PRESSURE: 19.2 PSI (Pr) PEAK REFLECTED PRESSURE FOR A DURATION OF 100 MSEC IN THE SEATING DIRECTION W/ REBOUND AS CALCULATED
2. FIRE RATING: NONE
3. FINISH: STD GREY PRIMER
4. HARDWARE BY PDI:
 - (1) PR SH-461 6-WAY ADJUST HINGES x USP FINISH
 - (1) SH-153PC 2 PT HORIZONTAL HARDWARE LEVER x EXIT BAR TRIM x US32D FINISH x (LESS CYL)
 - FUNCTION: BHMA 08 - SIM TO CLASSROOM
 - (1) YALE #4400 CLOSER x PA x ALUM FINISH
 - (1) PDI H-280W WEATHERSTRIP x BRUSHED FINISH
 - (1) PDI H-344 SILL SWEEP x USP FINISH
 - (1) PEMKO #272A/196A THRESHOLD x ALUM
5. HARDWARE BY OTHERS:
 - (1) SCHLAGE RIM KEY CYLINDER - IF POSSIBLE SHIP TO PDI FOR FACTORY INSTALLATION


NOTICE

THIS IS A CONFIDENTIAL DISCLOSURE LOANED BY PROTECTIVE DOOR IND. SUBJECT TO THE CONDITIONS THAT IT AND THE INFORMATION EMBODIED THEREIN SHALL BE USED ONLY FOR RECORD AND REFERENCE PURPOSES, SHALL NOT BE USED OR CAUSED TO BE USED IN ANYWAY PREJUDICIAL TO THE INTEREST OF THIS COMPANY, SHALL NOT BE REPRODUCED OR COPIED IN WHOLE OR IN PART, AND SHALL BE RETURNED UPON REQUEST.

GENERAL CONDITIONS

P.D.I. WILL NOT BE LIABLE FOR ANY ERRORS OCCURRING TO OTHER TRADES THROUGH THE USE OF THIS DRAWING. CONTRACTOR TO CHECK ALL DIMENSIONS AT JOB AS P.D.I. ASSUMES NO RESPONSIBILITY FOR GENERAL BUILDING DIMENSIONS.



DATE	MK	DESCRIPTION	BY
REVISIONS			
CUSTOMER:			
PROJECT:			
 PROTECTIVE DOOR INDUSTRIES HARVEY, ILLINOIS 60426			
TITLE DB-X SGL BLAST RESISTANT DOOR AND FRAME			
DWG BY	MF	CHKD BY	
DATE	1/23/12	DATE	
SCALE		QA	
DWG NO.	1974-12	SHT NO.	1

PLOT SCALE 1/4"=1'-0"

MASTER