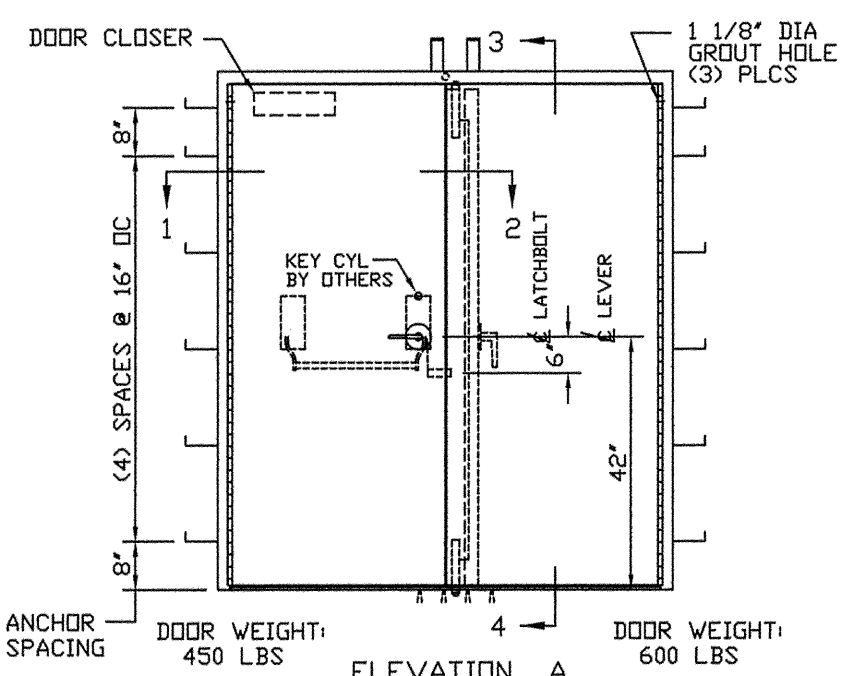
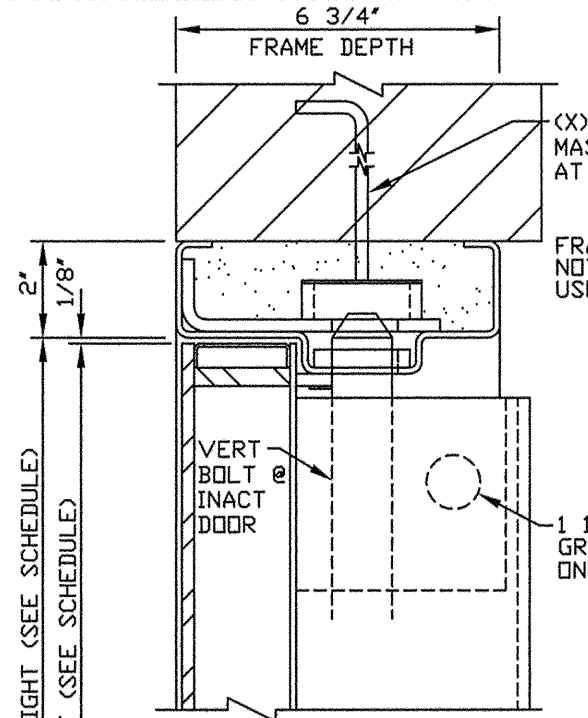
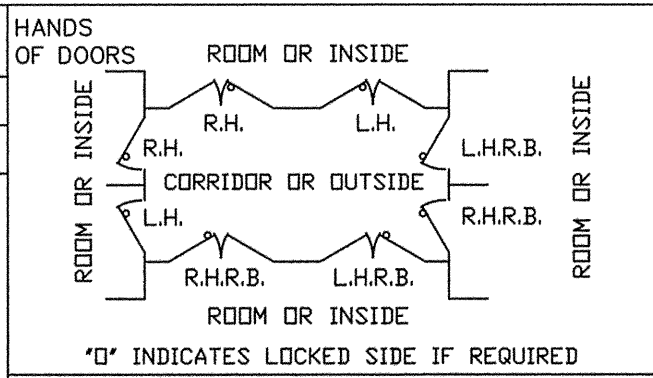
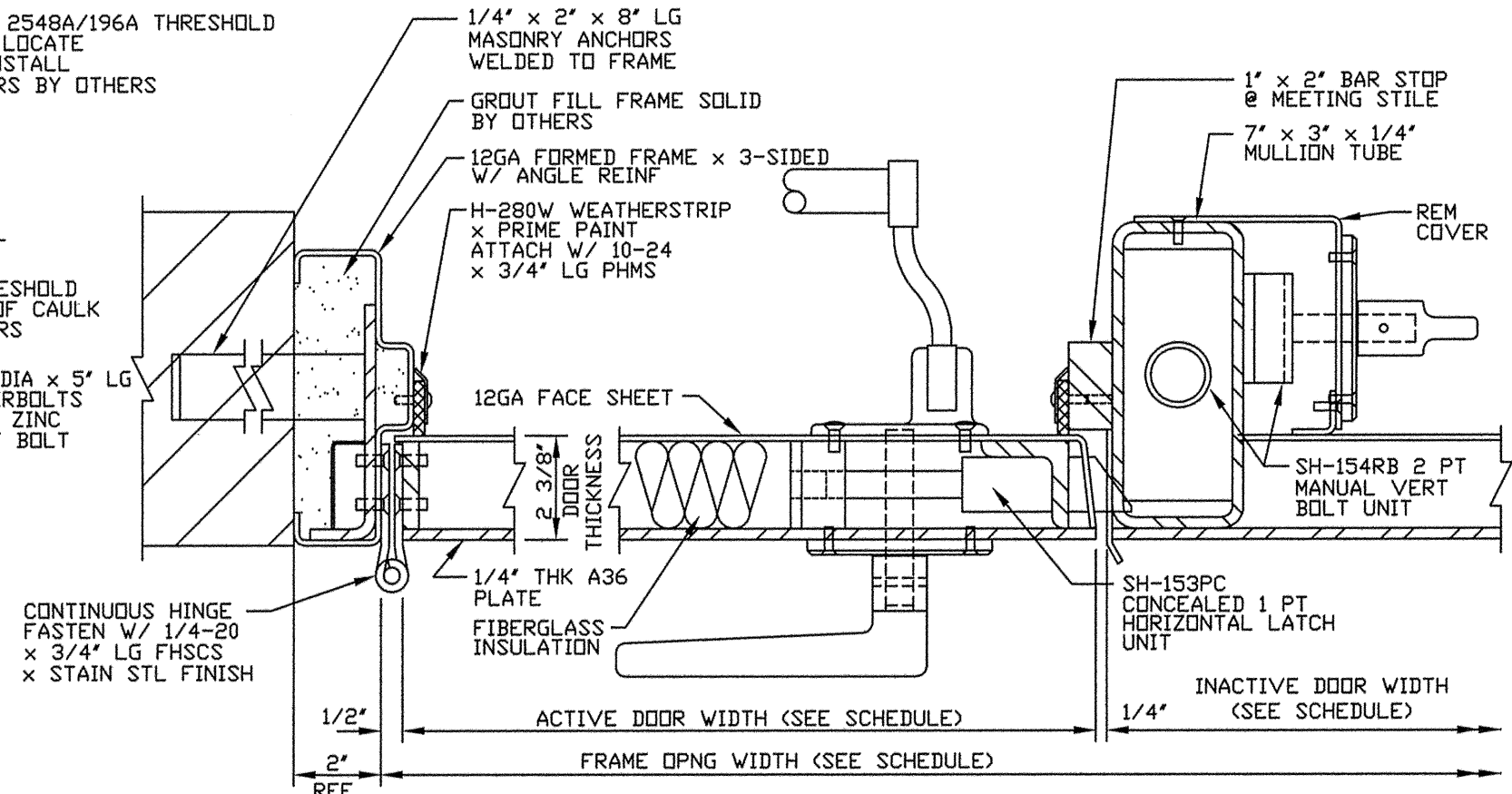
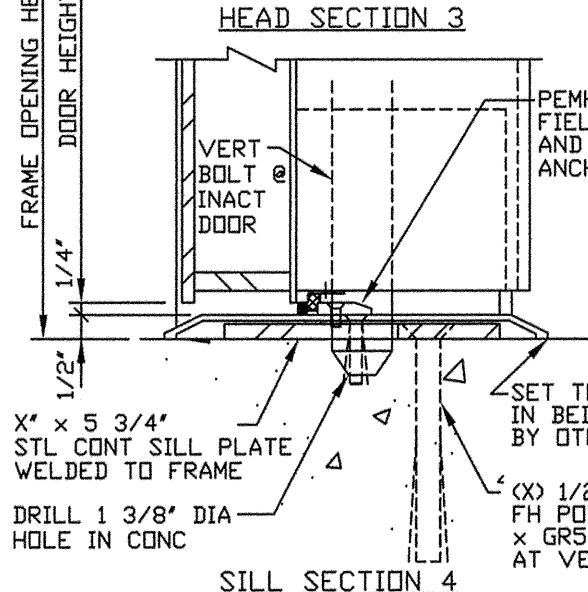


QUAN.	MARK NO	HAND	LOCATION		EXISTING WALL OPNG		FRAME OPNG		DOOR SIZE		DOOR ELEV	SECTIONS				REMARKS
			HINGE SIDE	STOP SIDE	WIDTH	HEIGHT	WIDTH	HEIGHT	WIDTH	HEIGHT		HINGE	STRIKE	HEAD	SILL	
1 PR	X	ACTIVE	EXTERIOR	INTERIOR	NA	NA	72"	84"	35 3/8"	83 1/8"	A	1	2	3	4	



IMPORTANT NOTE:
WALL MUST BE CAPABLE OF SUPPORTING XX LB/IN PER JAMB IN THE SEATING DIRECTION AND UNSEATING CONCENTRATED LOADS AS FOLLOWS:
AT VERT BOLTS XXXX LBS
AT CONT HINGE XX LBS/IN


- FRAME INSTALLATION**
- PROPERLY BRACE AND SUPPORT FRAME DURING INSTALLATION.
 - JAMBS MUST BE PLUMB.
 - HEAD MUST BE LEVEL.
 - ALL DIMENSIONS TO BE WITHIN 1/16".
 - DIAGONAL DIMENSIONS TO BE WITHIN 1/8".



- NOTES:**
- DESIGN PRESSURE:
Pr = ___ PSI SEATING PRESSURE FOR ___ MS W/ REBOUND AS CALCULATED
 - FIRE RATING: NONE
 - FINISH: STD GREY PRIMER
 - HARDWARE BY PDI:
 - (2) CONTINUOUS HINGES x DOOR HEIGHT 8GA STAIN STL LEAVES x 3/8" DIA SS PIN x 6" OPEN WIDTH x BRUSHED FINISH
 - (1) SH-153PC 1 PT HORIZONTAL HARDWARE LEVER x EXIT BAR TRIM x US32D FINISH FUNCTION: SIM TO F08 @ ACTIVE DOOR ONLY
 - (1) SH-154RB 2 PT VERT MANUAL HARDWARE LEVER x NO EXT TRIM x US32D FINISH @ INACTIVE DOOR
 - (1) YALE #4400 DOOR CLOSER x PA x ALUM FIN @ ACTIVE DOOR ONLY
 - (1) PDI H-280W WEATHERSTRIP x USP FINISH
 - (2) PDI H-344 SILL SWEEP x USP FINISH
 - (1) PEMKO #2548A/196A THRESHOLD x ALUM
 - HARDWARE BY OTHERS:
 - (1) MORTISED KEY CYLINDER x LONG CAM

DATE	MK	DESCRIPTION	BY
REVISIONS			

CUSTOMER:
PROJECT:


 PROTECTIVE DOOR INDUSTRIES
 HARVEY, ILLINOIS 60426

TITLE DB-X PAIR FLUSH BLAST RESISTANT DOOR AND FRAME	
DWG BY	CHKD BY
DATE	DATE
SCALE	QA
DWG NO.	SHT NO.

NOTICE
THIS IS A CONFIDENTIAL DISCLOSURE LOANED BY PROTECTIVE DOOR IND. SUBJECT TO THE CONDITIONS THAT IT AND THE INFORMATION EMBODIED THEREIN SHALL BE USED ONLY FOR RECORD AND REFERENCE PURPOSES, SHALL NOT BE USED OR CAUSED TO BE USED IN ANYWAY PREJUDICIAL TO THE INTEREST OF THIS COMPANY, SHALL NOT BE REPRODUCED OR COPIED IN WHOLE OR IN PART, AND SHALL BE RETURNED UPON REQUEST.

GENERAL CONDITIONS
P.D.I. WILL NOT BE LIABLE FOR ANY ERRORS OCCURRING TO OTHER TRADES THROUGH THE USE OF THIS DRAWING. CONTRACTOR TO CHECK ALL DIMENSIONS AT JOB AS P.D.I. ASSUMES NO RESPONSIBILITY FOR GENERAL BUILDING DIMENSIONS.

PLOT SCALE 1=4
JANET-11